



# CEMBRE

ELECTRO-HYDRAULIC PUMP  
GROUPE HYDRO-ELECTRIQUE  
ELEKTRO-HYDRAULISCHE PUMPE  
BOMBA ELECTRO-HIDRAULICA  
POMPA ELETTO-OLEODINAMICA

CPE-1 CPE-1-110 CPE-1-MG CPE-1-110-MG

CE

UK  
CA



ENGLISH	OPERATION AND MAINTENANCE MANUAL .....	5
FRANÇAIS	NOTICE D'UTILISATION ET ENTRETIEN .....	11
DEUTSCH	BEDIENUNGSANLEITUNG .....	17
ESPAÑOL	MANUAL DE USO Y MANTENIMIENTO .....	23
ITALIANO	MANUALE D'USO E MANUTENZIONE.....	29

- **SAVE THESE INSTRUCTIONS:** *this manual contains important safety and operating instructions for the pump.*
- **CONSERVEZ CES INSTRUCTIONS:** *cette notice contient d'importantes instructions relatives à la sécurité et au fonctionnement de la pompe.*
- **BEWAHREN SIE DIESE HINWEISE AUF:** *diese Bedienungsanleitung enthält wichtige Sicherheits- und Gebrauchsanweisungen für die Pumpe.*
- **GUARDE ESTAS INSTRUCCIONES:** *este manual contiene instrucciones de seguridad y funcionamiento importantes para la bomba.*
- **CONSERVARE QUESTE ISTRUZIONI:** *questo manuale contiene importanti istruzioni per la sicurezza e il funzionamento della pompa.*

## WARNING LABELS - ETIQUETTES SIGNALÉTIQUES - HINWEISSCHILDER - ETIQUETAS DE ATENCION - ETICHETTE D'AVVERTENZE

- *Before using the pump, carefully read the instructions in this manual.*
- *Avant d'utiliser ce groupe, lire attentivement les instructions de cette notice.*
- *Vor Inbetriebnahme unbedingt die Bedienungsanleitung durchlesen.*
- *Antes de utilizar la bomba, leer atentamente las instrucciones contenidas en este manual.*
- *Prima di utilizzare la pompa, leggere attentamente le istruzioni contenute in questo manuale.*



- **WARNING**, *electrical hazard*
- **ATTENTION**, *tension électrique*
- **ACHTUNG**, *elektrische Spannung*
- **ATENCION**, *tensión eléctrica*
- **ATTENZIONE**, *tensione elettrica*



- *See page 41*
- *Voir page 41*
- *Siehe Seite 41*
- *Vease página 41*
- *Vedere pagina 41*

## WARNINGS - AVERTISSEMENTS - WARNHINWEISE ADVERTENCIAS - AVVERTENZE

- *Keep the pump and flexible hose away from naked flames and sources of heat above 70°C.*
- *The factory fitted spring steel, spiral guards must be in place at each end of the flexible hose.*
- *Do not touch the flexible hose when under pressure.*
- *When using the pump, the flexible hose must be uncoiled and laid out straight.*
- *Before connecting or disconnecting the couplings, check that the oil pressure is zero.*

- *Tenir la pompe et le flexible éloignes des flammes et des sources de chaleur supérieures à 70°C.*
- *Les extrémités du flexible doivent être dotées des protections prévues.*
- *Ne pas toucher le flexible quand il est sous pression.*
- *Étendre complètement le flexible pendant l'utilisation de la pompe.*
- *Avant de brancher ou de débrancher le raccord rapide, vérifier que la pression de l'huile est nulle.*

- *Pumpen und schläuche sind von flammen bzw. von wärmequellen mit einer temperatur von mehr als 70°C entfernt zu halten.*
- *Die enden des schlauches müssen mit den vorgesehenen schutzelementen versehen sein.*
- *Der unter druck stehende schlauch darf nicht berührt werden.*
- *Der schlauch muss bei der benutzung ausgerollt und flach ausgelegt sein.*
- *Vor dem verbinden oder lösen der schnelkupplungen muss kontrolliert werden das die pompe drucklos ist.*

- *Mantener la bomba y la manguera flexible alejados de llamas y de fuentes de calor con temperatura superior a 70°C.*
- *Los extremos de la manguera flexible deben estar dotadas de las protecciones previstas.*
- *No tocar la manguera flexible cuando se encuentra bajo presión.*
- *Extender completamente la manguera flexible durante la utilización de la bomba.*
- *Antes de acoplar o de desacoplar los acoplamientos rápidos, comprobar que la presión del aceite sea nula.*

- *Tenere la pompa ed il tubo flessibile lontani da fiamme libere e da fonti di calore superiori a 70°C.*
- *Sulle estremità' del tubo flessibile devono essere presenti le protezioni previste.*
- *Non toccare il tubo flessibile quando questo é in pressione.*
- *Stendere completamente il tubo flessibile durante l'utilizzo della pompa.*
- *Prima di connettere o sconnettere gli innesti rapidi, verificare che la pressione dell'olio sia nulla.*



FIG.1  
 PUMP  
 POMPE  
 PUMPE  
 BOMBA  
 POMPA

## ELECTRO-HYDRAULIC PUMP

## WARNING!

- When electrical equipment is used, basic safety precautions must be followed to reduce fire danger, electric shock and personal injury.
- Ensure the ON-OFF switch is in “0” position (off) before connecting the pump to the mains supply.
- The operator should concentrate on the work being performed and be careful to maintained a balanced working position.
- Hydraulic pumps manufactured by CEMBRE S.p.A. are developed for use with crimping or cutting heads. According to this specific use, they do not need and are not equipped with an oil non-return safety system.  
For this reason, use in applications different from those intended (for example with hydraulic jacks, lifting systems or similar) can be dangerous for the operator.  
CEMBRE S.p.A. does not accept any liability arising from the use of its hydraulics pumps for applications different from those listed in its catalogues or other documentation.

## 1. GENERAL CHARACTERISTICS

PUMP TYPE:		CPE-1	CPE-1-110	CPE-1-MG CPE-1-110-MG
Max. operating pressure	bar (psi):	700 (10,000)		500 (7,250)
Oil supply	litres/min (gpm):	0,8 (0.21)		
Single-phase electric motor:		230 ~ / 50-60	110-115 ~ / 50-60	230 ~ / 50-60 [CPE-1-MG] 110-115 ~ / 50-60 [CPE-1-110-MG]
supply voltage	Volt/Hz:	4,8 (50 Hz)	9,6 (50 Hz)	9,6 [CPE-1-MG]
current	Ampere:	4,6 (60 Hz)	9,2 (60 Hz)	9,2 [CPE-1-110-MG]
Power	Watt (HP):	1050 (1.4)		
Control circuits	Volt:	24 DC		
Oil reservoir capacity	litres (gal.US):	2,0 (0.52)		
Weight	kg (lbs):	21 (46)		
Dimensions	mm (inches):	372 x 223 x 482 (14.6 x 8.8 x 19)		
Ingress protection:		IP 55		
Recommended oil:		ENI ARNICA ISO 22 or ESSO INVAROL EP 22 or equivalent		
Remote hand controller:		X		
Remote pedal controller:				X
<b>Safety:</b> The pump is fitted with a maximum pressure valve and pressure switch; MPC1 gauge (see page 38) is available as an optional accessory to check the correct setting of the pressure switch.				
<b>Acoustic Noise (Directive 2006/42/EC, annexe 1, point 1.7.4.2 letter u)</b>				
– The weighted continuous acoustic pressure level equivalent A				
at the work place $L_{pA}$ is equal to .....73 dB (A)				
– The maximum value of the weighted acoustic displacement pressure C				
at the work place $L_{pCPeak}$ is..... < 130 dB (C)				
– The acoustic power level emitted by the machine $L_{WA}$				
is equal to.....88 dB (A)				

## 2. PUMP DESCRIPTION (Ref. to Fig. 1, page 3)

- C** SOCKET FOR CONNECTING THE REMOTE HAND / FOOT PEDAL CONTROLLER
- C1** MAINS CABLE (PLUG 2 PHASES + EARTH)
- F** PROTECTION FUSES
- IG** ON-OFF SWITCH I / O
- IR** QUICK RELEASE FEMALE HYDRAULIC COUPLER
- IM** TRANSPORT HANDLE
- LA** ALARM LED
- MT** ELECTRIC MOTOR
- PO** HYDRAULIC PUMP / OIL RESERVOIR
- PC** REMOTE HAND CONTROLLER
- PF** REMOTE FOOT PEDAL CONTROLLER
- PS** OIL RELEASE / EMERGENCY BUTTON
- QE** ELECTRICAL PANEL
- TF** 3 METRE (9.8 ft) HIGH PRESSURE FLEXIBLE HOSE

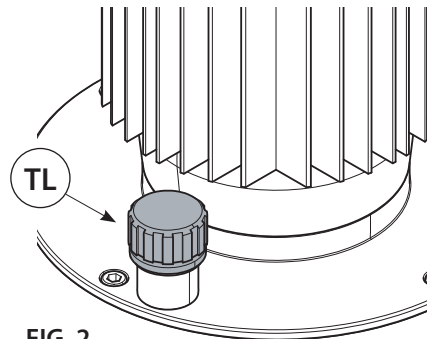
## 3. INSTRUCTION FOR USE

### 3.1) Setting up

- Carry the pump using the handle (IM) and place on a flat, stable surface in a dry position.

**⚠ BEFORE OPERATING THE PUMP FOR THE FIRST TIME, REPLACE THE TRANSPORT CAP WITH THE WORKING CAP SUPPLIED.**

- To avoid oil leakage during transportation, the pump is equipped with an hermetically sealed cap which must be replaced with the working cap supplied, for correct operation.
- Remove the transport cap and replace it with the orange working cap (TL) complete with dipstick for oil level verification, tighten firmly.
- Check that the nominal supply voltage corresponds to the value shown on the pump label then connect to the mains: ON-OFF switch (IG) will light, indicating connection to mains electricity.  
***The pump must only be connected to correctly earthed sockets.***
- Remove “REMOTE CONTROL” protective cap, connect the remote hand controller to the socket (C) (see Fig. 4 page 35): tighten the plug (CP) by turning the bezel (G) clockwise until it locks.
- Connect the flexible hose (TF) to the hydraulic head and to the corresponding female coupler (IR) on the pump (see Fig. 4 and 5).



**FIG. 2**

- Connect the female coupler of the hydraulic hose to the corresponding male coupler on the hydraulic head (see Fig. 5).

### 3.2) Operation

Move the ON-OFF switch (IG) to "I" position, then:

- Operate push button (GREEN) on the remote hand controller (PC) to activate the motor and to pump oil to the hydraulic head.
- **The pump will stop automatically when the nominal operating pressure is achieved** and oil pressure will be maintained. If push button is released, the oil will return and the ram of the hydraulic head connected to the pump, will retract.

#### NOTE:

- *If push button is released before the nominal operating pressure is reached, the pump will stop and will maintain the oil pressure at the level reached; to complete the operating cycle, press and hold the push button.*
- *By pressing the pressure release button (RED), the ram of the hydraulic head connected to the pump, will retract. To interrupt the "return oil" stage, release the button (the ram of the hydraulic head will stop in the position reached).*
- *If required, by pressing the mechanical pressure release button (PS) (see Fig.3) on the pump, the oil will return to the reservoir independent of the status of the external power supply.*

### 3.3) Alert signalling

The pump is equipped with a self-diagnostic system; the condition of yellow LED (LA) (Fig 3) indicates malfunction **with subsequent interruption to pumping.**

- STEADY YELLOW LED indicates the intervention of the thermal protection inside the electric motor, usually due to an intensive and prolonged use of the pump.

Allow the motor to cool and to restore the pump to operation, switch off and on again with switch (IG).

**Note: if the motor is not cooled enough, the pump will not re-start.**

- BLINKING YELLOW LED indicates the operating pressure has not been reached within 90 seconds of continuous working.

It is suggested to verify the oil level in the reservoir, check for oil leakage during operation and check the connections between pump and hydraulic head. To restore the pump to operation, switch it off and on again with switch (IG) or press the release button on the hand controller.

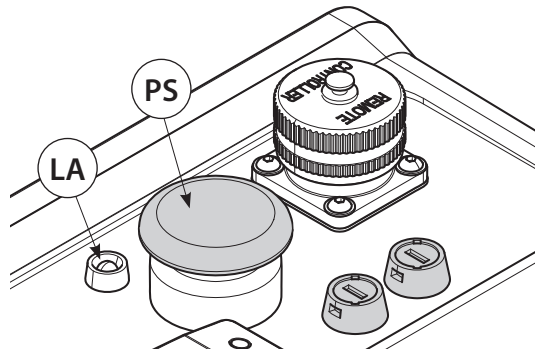


FIG. 3

### 3.4) Storage

After completion of the work **release the oil pressure** by pressing the release push button and make sure that the ram of the head connected is completely retracted.

- Switch off the pump by the ON-OFF switch (IG), selecting position "0".
- Disconnect the pump from the mains supply for long periods of inactivity.

## 4. WARNING

The pump is robust, completely sealed and requires very little daily maintenance.

Compliance with the following points should help to maintain the optimum performance of the unit:

- Avoid dirty surfaces: dust and sand are a danger to any hydraulic equipment.
- The mains supply cable must be in perfect conditions and correctly installed other it must be replaced immediately.

Should it be necessary to extended the mains cable, use 3 core (2 phases+earth) cable of suitable section.

***Never pull the cable to disconnect it from the mains supply.***


***Keep the cable may from heat, oil and sharp edges.***


- Store the pump in a clean, dry environment.

### 4.1) Flexible hose


The flexible hose is designed for high-pressure operation and should not be tightly bent, knotted, kinked or squashed.

Take care when storing the pump, the hose should be coiled in wide loops.

** *High pressure flexible hoses are subject to a natural ageing process which can result in a reduction in performance potentially affecting safety of the operator. As a result their life span is limited. In order to ensure safe use of their units, CEMBRE recommends replacing the hose within 10 years from the date printed on the fittings.***

** *Before using the pump always check the integrity of the flexible hose and the quick couplers making sure there are no abrasions, cuts, deformations or swellings.***

## 5. MAINTENANCE

** *Never open the electrical panel cover or effect any maintenance operation when the pump is connected to the mains supply.***

***Should replacement of pump components be necessary, always use original spare parts.***

After every use, the pump and accessories must be wiped with a clean cloth, taking care to remove any residue, especially around the sockets, quick couplers and inside the protective caps.

It is possible to check working pressure with the MPC1 gauge available as an optional accessory (see page 38).



### 5.1) Topping up the hydraulic oil (Ref. to Figs. 7 and 8, page 36)

Periodically check, at least every 6 months, the oil level in the pump.

- Position the pump on its base on a flat surface.
- Completely discharge the oil pressure by pushing the pressure release button (PS).
- Remove cap (TL) and check the level of the oil, if necessary **slowly add oil**.

**NEVER REFILL OVER THE MAXIMUM LEVEL to leakage during operation.**

- When refilling is finished replace the cap (TL).

Should it be necessary to remove oil from the reservoir, drain by removing the cap with magnetic insert (TV) (Fig. 7) located on the bottom of the pump.

Clean cap (TV) of any metallic deposits before replacing it.

*Always use clean recommended oil, see § 1.*

*Do not use old or recycled oil.*

*Do not use hydraulic brake fluid.*

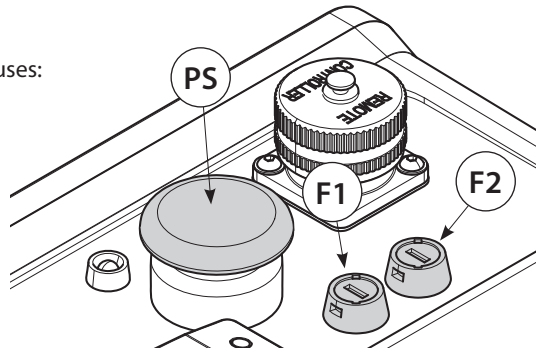
**⚠** *Ensure that used oil is disposed of in accordance with current legislation.*

### 5.2) Protection fuses

The pump is equipped with two protection fuses:

F1: fuse 10A (5X20) for protection of electric motor

F2: fuse 2A (5X20) for protection of 24V control circuits.



*In case of replacement, use only equivalent fuses.*

### 5.3) Internal electrical panel components (Ref. to Fig. 8, page 37)

- C** 450V 16 $\mu$ F MOTOR RUNNING CAPACITOR
- C1** 450V 40 $\mu$ F MOTOR STARTING CAPACITOR
- EV** 24V DC OIL RELEASE VALVE
- PR** 24V DC PRESSURE SWITCH
- RC** CURRENT RELAY
- R** 6,8 K CONDENSER DISCHARGE RESISTOR
- SE** ELECTRONIC CARD
- TL** OPERATING RELAY
- TR** TRANSFORMER

## 6. FAULT DIAGNOSIS

SYMPTOM	POSSIBLE CAUSES	REMEDY
The pump does not start when the remote controller push button is pressed.	<i>F1 and F2 fuses are faulty.</i>	Replace the fuses with equivalents.
	<i>Incorrect connection of the remote controller plug or the mains cable plug.</i>	Connect plug correctly (see § 3.1).
The pump starts but immediately stops.	<i>Incorrect connection of the hydraulic hose.</i>	Check the quick coupler for correct connection (see § 3.1).
The pump starts but the oil is not pressurised and the yellow led flashes.	<i>Insufficient oil in the reservoir.</i>	Top up the oil reservoir (see § 3.3 and 5.1).
	<i>Oil leaks in the hydraulic circuit.</i>	Check the hydraulic connection (see § 3.1).
After long use the pump will not start and the yellow led is on.	<i>The thermal protection has triggered because of motor overheating.</i>	Allow the motor to rest and wait until the motor has cooled down. (see § 3.3).
It is not possible to couple the flexible hose to the pump.	<i>Residual oil pressure in the hose.</i>	Connect the flexible hose to the pump keeping the release button (PS) pushed.

If the pump still does not operate correctly, please return it to CEMBRE (see § 7 page 34).

## GROUPE HYDRO-ELECTRIQUE

### ATTENTION!

- *En cas d'usage d'appareillages électriques il faut toujours respecter les précautions de base pour la sécurité pour réduire le risque d'incendie, de décharge électrique et dommages personnels.*
- *S'assurer que l'interrupteur général soit dans la position "0" (ouvert) avant d'introduire la fiche d'alimentation.*
- *Restez bien attentif tout au long du travail, ne soyez pas distrait, ne perdez pas l'équilibre pendant l'utilisation.*
- *Les pompes hydrauliques produites par CEMBRE S.p.A. ont été développées pour être utilisées avec les têtes de sertissage et coupe-câble. Dans l'application pour laquelle elles sont prévues, elles n'ont pas besoin de sécurité anti-retour d'huile, et par conséquent, n'en possèdent pas. Pour cette raison, leur utilisation dans toutes les applications différentes de celles auxquelles elles sont destinées (par exemple l'alimentation de vérins hydrauliques, de systèmes de levage, ou autres applications similaires), peut exposer l'opérateur à un danger. CEMBRE S.p.A. décline toute responsabilité pour d'éventuels problèmes dus à une utilisation de ses pompes hydrauliques différente de celle indiquée sur ses catalogues ou autres supports.*

### 1. CARACTERISTIQUES GENERALES

POMPE TYPE:		CPE-1	CPE-1-110	CPE-1-MG CPE-1-110-MG
Pression max. de travail	bar (psi):	700 (10,000)		500 (7,250)
Debit d'huile	litres/min (gpm):	0,8 (0.21)		
<b>Moteur électrique monophasé:</b>		230 ~ / 50-60	110-115 ~ / 50-60	230 ~ / 50-60 [CPE-1-MG] 110-115 ~ / 50-60 [CPE-1-110-MG]
Tension d'alimentation	Volt/Hz:	4,8 (50 Hz)	9,6 (50 Hz)	9,6 [CPE-1-MG]
current	Ampere:	4,6 (60 Hz)	9,2 (60 Hz)	9,2 [CPE-1-110-MG]
Puissance	Watt (HP):	1050 (1.4)		
Circuit auxiliaire interne	Volt:	24 DC		
Capacité du réservoir	litres(gal.US):	2,0 (0.52)		
Poids	kg (lbs):	21 (46)		
Dimensions	mm (inches):	372 x 223 x 482 (14.6 x 8.8 x 19)		
Class de protection:		IP 55		
Huile recommandée:		ENI ARNICA ISO 22 ou ESSO INVAROL EP 22 ou équivalent		
Commande manuelle:		X		
Commande a pied:				X

**Sécurité:** Le groupe est pourvu d'une valve de surpression et d'un pressostat. Pour vérifier le bon fonctionnement du pressostat un manomètre spécial notre réf. MPC1 est disponible (voir page 38).

#### Pression sonore aérienne (Directive 2006/42/CE, annexe 1, point 1.7.4.2, lettre u)

- Le niveau de pression sonore continue équivalente pondérée A sur le poste de travail  $L_{pa}$  est ..... 73 dB (A)
- Le niveau de pression sonore instantanée pondérée C sur le poste de travail  $L_{pCPeak}$  est..... < 130 dB (C)
- Le niveau de puissance acoustique dégagée par la machine  $L_{WA}$  est.....88 dB (A)

## 2. DESCRIPTION DE LA POMPE (Voir Fig. 1, page 3)

- C** CONNECTEUR POUR RACCORDER LA COMMANDE (MANUELLE OU A PIED)
- C1** CABLE D'ALIMENTATION AVEC FICHE ELECTRIQUE (2P+T)
- F** FUSIBLES DE PROTECTION
- IG** INTERRUPTEUR GENERAL I / O
- IR** RACCORD RAPIDE FEMELLE
- IM** POIGNEE DE TRANSPORT
- LA** LED SIGNALISATION D'ALERTE
- MT** MOTEUR ELECTRIQUE
- PO** POMPE HYDRAULIQUE / RESERVOIR D'HUILE
- PC** COMMANDE MANUELLE
- PF** PEDALIERE DE COMMANDE
- PS** BOUTON DE DECOMPRESSION / URGENCE
- QE** PANNEAU ELECTRIQUE
- TF** FLEXIBLE HAUTE PRESSION LONGUEUR 3 METRES (9.8 ft)

## 3. INSTRUCTIONS D'UTILISATION

### 3.1) Mise en service

Transporter le groupe à l'aide de la poignée (IM) et le placer sur une surface plane et stable dans un endroit sec.

**⚠ AVANT D'UTILISER LA POMPE POUR LA PREMIÈRE FOIS, IL EST NÉCESSAIRE DE REMPLACER LE BOUCHON DE TRANSPORT PAR LE BOUCHON DE TRAVAIL FOURNI À CET EFFET.**

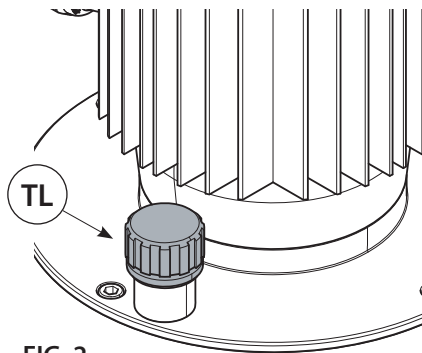


FIG. 2

- Pour éviter les fuites d'huile pendant le transport, le groupe est livrée avec un bouchon étanche. Pour le fonctionnement correct du groupe, il est nécessaire de remplacer ce bouchon par le bouchon de travail (TL) (Fig. 2) de couleur orange équipé de tige du niveau de l'huile.
- Vérifier que la tension d'alimentation correspond à celle indiquée sur la plaque signalétique de la pompe, puis brancher la prise d'alimentation: l'interrupteur général (IG) s'allumera pour indiquer la présence d'énergie électrique.

**Brancher le groupe exclusivement à des prises électriques munies de contact de terre.**

- Enlever le bouchon de protection "REMOTE CONTROL", relier la poignée de commande au connecteur (C) (voir Fig. 4 page 35): serrer le connecteur (CP) en tournant la bague (G) dans le sens des aiguilles d'une montre jusqu'à ce qu'elle soit bloquée.
- Brancher le flexible (TF) au raccord femelle (IR) du groupe et au raccord mâle de la tête hydraulique à utiliser (voir Fig. 4 et 5).

### 3.2) Fonctionnement

Allumer la pompe en plaçant l'interrupteur général (IG) sur la position "I":

- Prendre la poignée de commande (PC) et presser le bouton de mise en marche (VERT). De cette manière, on active le moteur du groupe qui met l'huile en pression et alimente la tête hydraulique qui lui est reliée.
- **La pression de service atteinte, le groupe s'arrête automatiquement** grâce au déclenchement du pressostat et la pression est maintenue; en relâchant le bouton de mise en marche, l'huile retourne dans le réservoir et le piston de la tête connectée retourne en position initiale.

NOTE:

- En relâchant le bouton de mise en marche avant que la pression nominale de service n'ait été atteinte, le groupe s'arrêtera et maintiendra la pression de l'huile stable à la valeur atteinte à cet instant. Pour achever le cycle de travail il faudra appuyer à nouveau et maintenir pressé le bouton de mise en marche.
- Lorsqu'on appuie sur le bouton de décompression (ROUGE) avant que la pression nominale de service n'ait été atteinte il est possible d'obtenir le retour de l'huile dans le réservoir en relâchant le bouton de décompression à n'importe quel moment, on interrompt la phase de retour d'huile du groupe et le piston de la tête hydraulique s'arrêtera dans la position qu'il a atteint à cet instant.
- En cas de besoin, appuyer à fond sur le bouton mécanique de décompression (PS) (Fig. 3) placé sur le groupe pour obtenir le retour de l'huile dans le réservoir même en absence d'énergie électrique.

### 3.3) Signalisation d'alerte

La pompe est équipée d'un système de diagnostique, l'allumage de la LED jaune (LA) Fig. 3 signale une éventuelle anomalie de fonctionnement et par conséquent **le blocage de la pompe**.

- L'ALLUMAGE DE LA LED JAUNE signale l'intervention de la protection thermique à l'intérieur du moteur électrique, normalement causé par une utilisation intensive et prolongée de la pompe. Pour rétablir le fonctionnement de la pompe, attendre le refroidissement du moteur, l'éteindre et ensuite l'allumer de nouveau par l'interrupteur général (IG).

**Note: si le moteur n'est pas refroidi suffisamment, la pompe ne part pas.**

- LA LED JAUNE CLIGNOTANTE signale le manque de pression nominale pendant 90 secondes de fonctionnement en continu.

Dans ce cas, il est suggéré de vérifier le niveau d'huile dans le réservoir, ou la présence d'éventuelles fuites pendant le fonctionnement ainsi que les connexions entre la pompe et la tête hydraulique. Pour rétablir le fonctionnement de la pompe, l'éteindre et l'allumer de nouveau par l'interrupteur général (IG) ou presser le bouton de décompression du commande.

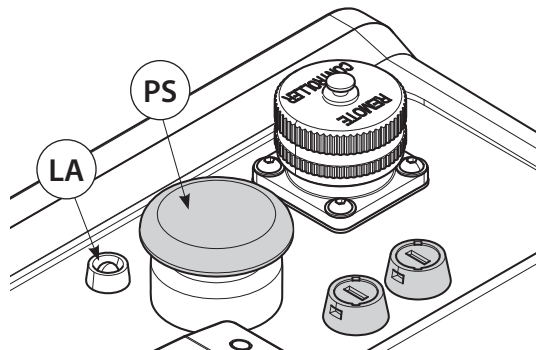


FIG. 3

### 3.3) Rangement

Après l'utilisation, **veiller à ce que le circuit hydraulique ne soit plus sous pression**, en pressant le bouton de décompression et s'assurer que le piston de la tête soit complètement rétracté.

- Eteindre la pompe en appuyant sur l'interrupteur général (IG) sur la position "0".
- En cas de période d'inactivité prolongée, débrancher la prise d'alimentation.

## 4. RECOMMANDATIONS

Ce groupe est robuste et ne nécessite aucune attention ou entretien particulier.

Les recommandations qui suivent sont néanmoins souhaitables pour lui assurer une longévité optimum:

- Eviter de poser le groupe sur des sols à risques: poussière et sable sont des dangers pour tout système hydraulique.
- Le câble d'alimentation doit être en parfait état; s'il présente des dommages visibles, le remplacer immédiatement.

S'il est nécessaire d'augmenter la longueur du câble d'alimentation, utiliser uniquement des rallonges à trois conducteurs (2P+T) de section appropriée.

**Ne jamais tirer le câble pour débrancher la prise d'alimentation.**


**Maintenir le câble éloigné des sources de chaleur, des huiles, et des objets tranchants ou pointus.**

- Stocker le groupe dans un endroit sec pendant les périodes d'inactivité.


### 4.1) Flexible

Ne jamais plier brusquement le flexible, le tordre ou le piétiner.


Le ranger dans le coffret en prenant soin de garder un rayon de courbure le plus large possible.

 **Les flexibles hydrauliques à haute pression sont soumis à un vieillissement naturel qui peut altérer leurs performances; En conséquence, leur durée de vie est limitée.**

**Afin de garantir la sécurité des opérateurs, CEMBRE recommande de remplacer le flexible dans les 10 ans suivant la date imprimée sur les raccords du flexible.**

 **Avant d'utiliser la pompe, s'assurer du parfait état du flexible et des raccords rapides, assurez-vous qu'il n'y a pas d'abrasions, de coupures, de déformations ou de gonflements.**

## 5. ENTRETIENS

 **N'ouvrir en aucun cas le panneau électrique et n'effectuer aucune opération d'entretien si le groupe est sous tension ou le câble d'alimentation branché à une prise électrique.**

**S'il est nécessaire de remplacer des composants de la pompe, utiliser exclusivement des pièces détachées d'origine.**

Chaque jour après utilisation, le groupe et ses accessoires doivent être nettoyés à l'aide d'un chiffon propre, particulièrement les connecteurs de la poignée de commande et le raccords rapides.

Un contrôle de la pression nominale est facile à faire avec un manomètre spécial réf. MPC1 disponible sur demande (voir page 38).

### 5.1) Complément d'huile (Voir Fig. 7, page 36)

Vérifier régulièrement le niveau d'huile du groupe (environ tous les 6 mois) et le compléter si nécessaire:

- Placer le groupe sur une surface plane.
- Décompresser complètement le circuit hydraulique en maintenant pressé le bouton de décompression (PS).
- Devisser et enlever le bouchon (TL) et vérifier le niveau d'huile; le cas échéant, **rajouter très lentement. NEREMPLIR PAS AU DELÀ DU NIVEAU MAXIMUM pour éviter écoulements d'huile pendant le fonctionnement.**
- Après avoir terminé l'opération, visser à fond le bouchon (02).

En cas de nécessité de vidange de l'huile contenu dans le réservoir, décharger l'huile en levant le bouchon avec l'insert magnétique (TV) (Fig. 7) situé sur le bas de la pompe.

Nettoyer le bouchon (TV) des éventuels déchets métalliques avant de le remonter.

*Utiliser exclusivement un type d'huile mentionné au § 1.*

*Ne jamais utiliser d'huile usagée ou recyclée.*

*Il est indispensable que l'huile soit neuve*

**⚠** *En cas de changement d'huile, l'huile usagée doit être éliminée conformément aux normes en vigueur.*

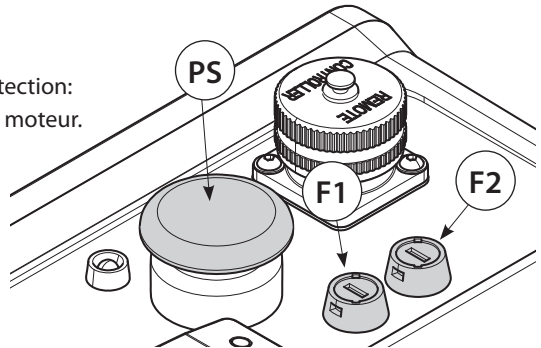
### 5.2) Fusibles de protection

Le groupe est muni de deux fusibles de protection:

F1: fusible 10A (5X20) pour la protection du moteur.

F2: fusible 2A (5X20) pour la protection des circuits auxiliaires 24V.

*En cas de remplacement, utiliser seulement des fusibles équivalents à ceux indiqués.*



### 5.3) Composants internes au panneau électrique (Voir Fig. 8, page 37)

- C** CONDENSATEUR DE MARCHE 450V 16 $\mu$ F
- C1** CONDENSATEUR DE DEMARRAGE 450V 40 $\mu$ F
- EV** ELECTROVANNE 24V DC
- PR** PRESSIOSTAT 24V DC
- RC** RELAIS DE COURANT
- R** RESISTANCE DE DECHARGE DU CONDENSATEUR 6,8 K
- SE** FICHE ÉLECTRONIQUE
- TL** RELAIS D'ACTIONNEMENT
- TR** TRANSFORMATEUR

## 6. FONCTIONNEMENT ANORMAL DU GROUPE ET SOLUTIONS POSSIBLES

PROBLEMES	CAUSES POSSIBLES	SOLUTIONS
Le groupe ne fonctionne pas en actionnant la commande de mise en marche.	<i>Fusible F1 ou F2 endommagé.</i>	Vérifier le fusible et le remplacer par un neuf ayant les mêmes caractéristiques.
	<i>Mauvais raccordement du câble de commande ou du câble d'alimentation électrique.</i>	Vérifier le branchement du connecteur de commande (voir § 3.1).
Le groupe se met en fonctionnement mais s'arrête immédiatement.	<i>Le flexible est mal raccordé au niveau du groupe ou de la tête.</i>	Vérifier le branchement des raccords rapide du flexible (voir § 3.1).
Le groupe fonctionne mais le circuit hydraulique ne monte pas en pression, la LED jaune clignote.	<i>Il manque de l'huile dans le réservoir du groupe.</i>	Compléter le niveau d'huile (voir § 3.3 et 5.1).
	<i>Pertes d'huile dans le circuit hydraulique du groupe.</i>	Vérifier le branchement hydraulique (voir § 3.1).
Après un usage intensif, le groupe ne démarre pas et la LED jaune reste allumée.	<i>Déclenchement de la protection thermique à cause d'une surchauffe du moteur-pompe.</i>	Laisser reposer le groupe et attendre que la température du moteur s'abaisse (voir § 3.3).
Il n'est pas possible de connecter le flexible à la pompe.	<i>Pression résiduelle de l'huile à l'intérieur du flexible.</i>	Brancher le flexible à la pompe en pressant le bouton de décompression (PS) sur la pompe.

Si le groupe ne fonctionne toujours pas, le retourner à CEMBRE (voir § 7 pag. 34).



## ELEKTRO-HYDRAULISCHE PUMPE

**ACHTUNG!**

- Bei dem Einsatz von elektrischen Geräten müssen alle Sicherheitsregeln eingehalten werden, damit eine Brandgefahr, ein Kurzschluss oder eine persönliche Gefährdung so gering wie möglich ist.
- Kontrollieren Sie, dass der Hauptschalter sich in Position "0" befindet, wenn Sie die Pumpe an das Netz anschliessen.
- Bei der Arbeit sich nicht Ablenken lassen und auf das Gleichgewicht beim Einsatz des Werkzeuges achten!
- Die von CEMBRE S.p.A. hergestellten hydraulischen Pumpen sind für den Einsatz mit hydraulischen Schneid- und Pressköpfen entwickelt worden. Für diese Anwendungen ist ein absolut sicheres Druckhaltesystem nicht notwendig. Aus diesem Grund kann deren Einsatz für andere Anwendungen, als die für die sie bestimmt sind (z.B. die Versorgung von Hydraulikwinden, Hebeanlagen oder ähnliches), den Benutzer in Gefahr bringen.  
CEMBRE S.p.A. enthält sich jeglicher Haftung für den Einsatz ihrer Hydraulikpumpen für andere Anwendungen, die nicht gemäß ihren eigenen Katalogen oder anderem Informationsmaterial beschrieben sind.

**1. ALLGEMEINE EIGENSCHAFTEN**

PUMPENTYP:		CPE-1	CPE-1-110	CPE-1-MG CPE-1-110-MG
Max. Arbeitsdruck	bar (psi):	700 (10,000)		500 (7,250)
Fördermenge	Liter/min (gpm):	0,8 (0.21)		
Einphasenelektromotor:		230 ~ / 50-60	110-115 ~ / 50-60	230 ~ / 50-60 [CPE-1-MG] 110-115 ~ / 50-60 [CPE-1-110-MG]
Spannung	Volt/Hz:	4,8 (50 Hz)	9,6 (50 Hz)	9,6 [CPE-1-MG]
Stromstärke	Ampere:	4,6 (60 Hz)	9,2 (60 Hz)	9,2 [CPE-1-110-MG]
Leistungsaufnahme	Watt (HP):	1050 (1.4)		
Circuit auxiliaire interne	Volt:	24 DC		
Capacité du réservoir	Liter (gal.US):	2,0 (0.52)		
Gewicht	kg (lbs):	21 (46)		
Abmessungen	mm (inches):	372 x 223 x 482 (14.6 x 8.8 x 19)		
Schutzgrad:		IP 55		
Empfohlenes Öl:		ENI ARNICA ISO 22 oder ESSO INVAROL EP 22 oder ähnliches		
Handfernbedienung:		X		
Fusschalter:				X
<b>Sicherheit:</b> Die Pumpe ist mit einem Überdruckventil und Druckschalter ausgestattet. Die Prüfung des Druckschalters kann mit dem Messgerät MPC1, das auf Anfrage lieferbar ist, gemessen werden (siehe Seite 38).				
<b>Lärmschutzbestimmung (Richtlinie 2006/42/EG, Anhang 1, Nummer 1.7.4.2, Buchstabe u)</b>				
– Der konstante Lärmpegel entsprechend Gewichtung A am Arbeitsplatz $L_{pA}$ entspricht..... 73 dB (A)				
– Der höchste Lärmpegel entsprechend Gewichtung C am Arbeitsplatz $L_{pCpeak}$ entspricht ..... < 130 dB (C)				
– Die Lärmbelastung des Geräts $L_{WA}$ entspricht..... 88 dB (A)				

## 2. BESCHREIBUNG (Siehe Bild 1, Seite 3)

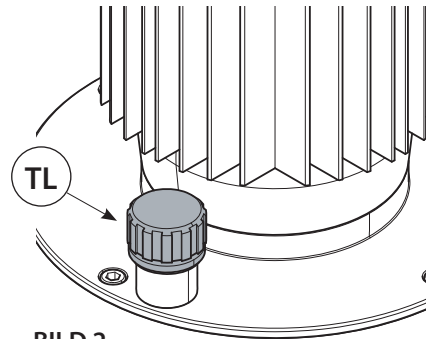
- C** ANSCHLUSS FÜR FERNBEDIENUNG (HANDFERNBEDIENUNG ODER FUSSSCHALTER)
- C1** KABEL MIT KALTGERÄTESTECKER (2P+E) FÜR SPANNUNGSVERSORGUNG
- F** SCHMELZSICHERUNG
- IG** HAUPTSCHALTER I / O
- IR** SCHNELLKUPPLUNG
- IM** TRANSPORTGRIFF
- LA** KONTROLL LED
- MT** ELEKTROMOTOR
- PO** HYDRAULISCHE PUMPE/ÖLTANK
- PC** HANDFERNBEDIENUNG
- PF** FUSSSCHALTER
- PS** MECHANISCHER DRUCKABLASSKNOPF / NOT AUS
- QE** ELEKTRISCHE ANLAGE
- TF** FLEXIBER HOCHDRUCKSCHLAUCH LÄNGE 3 METER (9.8 ft)

## 3. BEDIENUNGSHINWEISE (Siehe Bild 1 und 3)

### 3.1) Vorbereitung

- Die Pumpe am Griff (MT) transportieren und auf einer flachen, stabilen und trockenen Ebene abstellen.

**⚠ VOR DEM ERSTEN EINSATZ MUSS DIE ÖLTRANSPORTSCHRAUBE GEGEN DIE MITGELIEFERTE VENTILSCHRAUBE AUSGETAUSCHT WERDEN.**



**BILD 2**

- Um Ölverluste während des Transportes zu vermeiden, wird die Pumpe mit einer Öltransportschraube geliefert. Für eine korrekte Funktionsweise der Pumpe muss diese Öltransportschraube durch die mitgelieferte orangene Ventilschraube (TL) (Bild 2) mit Ölmesstab getauscht werden.
- Kontrollieren Sie die Spannung auf dem Typenschild mit der zur Verfügung stehenden Spannung. Stecken Sie den Netzstecker in die Steckdose. Am Hauptschalter (IG) schaltet sich die Beleuchtung ein und signalisiert, dass Spannung anliegt.  
*Die Pumpe darf nur an geerdeten Steckdosen angeschlossen werden.*
- Die Staubschutzkappe "REMOTE CONTROL" von der Fernbedienung lösen und den Stecker (CP) der Fernbedienung (siehe Bild 4 Seite 35) auf der Steckbuchse (C) montieren. Den Stecker (CP) durch das Anziehen der Überwurfmutter (G) im Uhrzeigersinn arretieren.
- Den flexiblen Hochdruckschlauch (TF) anschliessend mit der Pumpe und dem Werkzeug verbinden.

### 3.2) Betrieb

Die Pumpe durch Drehen des Hauptschalters (IG) auf "I" einschalten:

- Die Fernbedienung (PC) in die Hand nehmen und den Startknopf (GRÜN) drücken: der Motor wird eingeschaltet und beginnt das Öl zu fördern. Das Öl strömt in das angeschlossene Werkzeug.
- **Bei Erreichen des max. Betriebsdruckes schaltet der Druckschalter den Motor ab**, der Druck wird gehalten. Wird der Startknopf nicht mehr betätigt wird der Öldruck abgebaut und der Kolben des Werkzeuges fährt zurück.

**HINWEIS:**

- Wird der Startknopf vor dem Erreichen des max. Betriebsdruckes losgelassen, bleibt das Werkzeug in der Stellung stehen. Um den Betriebsdruck weiter zu erhöhen ist, muss der Startknopf erneut betätigt werden.
- Wird der Druckablassknopf (ROT) gedrückt, fließt das Öl in den Öltank zurück und der Kolben des Werkzeuges fährt zurück. Sobald der Druckablassknopf losgelassen wird, bleibt der Kolben des Werkzeuges in der Stellung stehen.
- Bei Bedarf kann der mechanische Druckablassknopf (PS) (Bild 3) auf der Vorderseite der Pumpe betätigt werden und das Öl fließt in den Tank zurück.  
**Dieser Vorgang ist unabhängig vom Strom.**

### 3.3) Kontrollleuchten

Die Pumpe verfügt über ein eigenes Kontrollsystem. Beim Aufleuchten der gelben LED (LA) Bild 3 wird ein Fehler signalisiert und **die Pumpe wird blockiert**.

- BEI STÄNDIG LEUCHTENDER LED wird signalisiert das der Thermo-Schalter des Motors durch sehr intensiven Einsatz und hohe Temperatur aktiviert wurde.

Um die Pumpe wieder in Betrieb nehmen zu können, muss der Motor abkühlen. Durch erneutes Einschalten am Hauptschalter (IG) kann die Pumpe wieder gestartet werden.

**HINWEIS: Die Pumpe kann erst nach vollständigem Abkühlen des Motors verwendet werden.**

- BEI BLINKENDER LED wird signalisiert, dass der Arbeitsdruck innerhalb der vergangenen 90 Sekunden nicht erreicht wurde.

In diesem Fall ist der Ölstand zu kontrollieren oder die Pumpe auf eventuelle Överluste zwischen Schlauch und Werkzeug zu kontrollieren. Um die Pumpe wieder zu starten muss der Hauptschalter (IG) ein- und ausgeschaltet werden oder der Druckablassknopf auf der Fernbedienung betätigt werden.

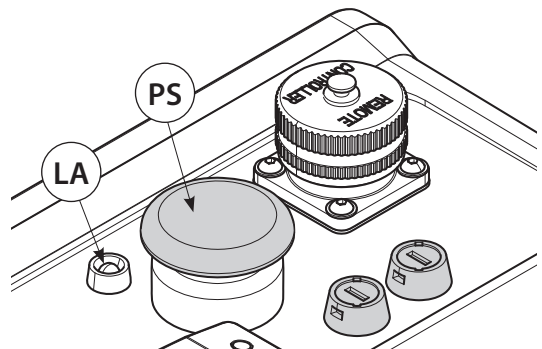


BILD 3

### 3.4) Ruhestellung

- Nach dem Beenden der Arbeit das angeschlossene Werkzeug durch Betätigen des Druckablassknopfes **vollständig entlasten**. Es ist darauf zu achten, dass sich der Kolben des Werkzeuges vollständig in der Ausgangsstellung befindet.
- Die Pumpe durch Drücken des Hauptschalters (IG) auf Null "0" ausschalten.
- Bei langem Stillstand den Netzstecker ziehen.

## 4. HINWEISE

Die Pumpe ist robust und benötigt keine spezielle Pflege oder Instandhaltung.

Zur Erhaltung der Garantieansprüche beachten Sie folgende Hinweise:

- Schmutzige Böden vermeiden: Staub und Sand sind eine Gefahr für alle hydraulischen Vorrichtungen.
- Das Stromkabel muss unbedingt unbeschädigt sein, wenn es sichtbare Schäden aufweist muss es sofort ersetzt werden.  
Wenn erforderlich, das Versorgungskabel verlängern, dazu lediglich Verlängerungen mit drei Leitern (2-polig+Erde) mit passendem Querschnitt verwenden.  
**Niemals den Netzstecker am Kabel aus der Steckdose ziehen!**  
**Das Kabel vor heißem Öl und scharfen Gegenständen schützen!**
- Die Pumpe und Zubehör während der Ruhezeiten an trockenen Orten aufbewahren.

### 4.1) Hydraulikschlauch

Der Hydraulikschlauch ist für einen hohen Arbeitsdruck ausgelegt und sollte während des Arbeitsvorganges nicht geknickt oder gekrümmt werden.

Bei Lagerung der Pumpe muss der Schlauch ohne Krümmungen gelegt werden.

**⚠ Grundsätzlich unterliegen alle Schlauchleitungen auch bei sachgemäßer Lagerung und zulässiger Beanspruchung während des Einsatzes einer natürlichen Alterung. Durch die Alterung wird die Leistungsfähigkeit der Schlauchleitung verringert und somit ist die Lebensdauer begrenzt.**

**Um dem Bediener den sicheren Einsatz seiner Geräte zu gewährleisten, empfiehlt CEMBRE den Schlauch innerhalb von 10 Jahren nach der Herstellung der Schlauchleitung zu wechseln. Das Datum der Fertigstellung der Schlauchleitung befindet sich auf den Anschlussstellen.**

**⚠ Vor dem Einsatz der Pumpe immer überprüfen, ob der Hochdruckschlauch und die Schnellanschlüsse unversehrt sind und keine Abschürfungen, Einschnitte, Verformungen oder Beulen aufweisen.**

## 5. WARTUNG

**⚠ Auf keinen Fall die elektrische Anlage öffnen oder Wartungsarbeiten ausführen, wenn die Pumpe unter Spannung steht bzw. der Netzstecker an einer Stromversorgung angeschlossen ist. Wenn das Ersetzen von Pumpenkomponenten erforderlich ist, dürfen nur Original-Ersatzteile verwendet werden.**

Jeden Tag nach der Arbeit sollte die Pumpe und Zubehör mit einem Tuch von Schmutz und Staub gereinigt werden; besonders die Anschlüsse und Staubschutzkappen der Schnellanschlüsse. Die Kontrolle des Betriebsdruckes kann mit dem Messgerät MPC1 (siehe Seite 38), das auf Anfrage lieferbar ist, gemessen werden.

### 5.1) Öl nachfüllen (Siehe Bild 6 und 7, Seite 36).

Der Ölstand im Pumpenkörper muß regelmäßig (mindestens alle 6 Monate) geprüft werden.

- Die Pumpe auf eine ebene Unterlage stellen.
- Den Öldruck durch Betätigen des Druckablassknopfes (PS) vollständig ablassen.
- Ölverschlußkappe (TL) entfernen. Ölstand kontrollieren und wenn notwendig **sehr langsam Öl nachfüllen**. **NIEMALS DEN ÖLTANK ÜBERFÜLLEN, da sonst beim Gebrauch der Pumpe Öl austreten kann.**
- Tank wieder mit der Ölverschlußkappe (TL) verschliessen.  
Bei einem notwendigem Ölwechsel das Öl über die magnetische Verschlußkappe (TV) (Bild 7) auf dem Boden der Pumpe ablassen.  
Vor dem Einsetzen der magnetischen Verschlußkappe (TV) reinigen.

*Zum Nachfüllen immer das unter Pkt. 1 angegebene Öl benutzen.*

*Niemals mit gebrauchtem oder altem Öl nachfüllen.*

*Das Öl muß sauber sein.*

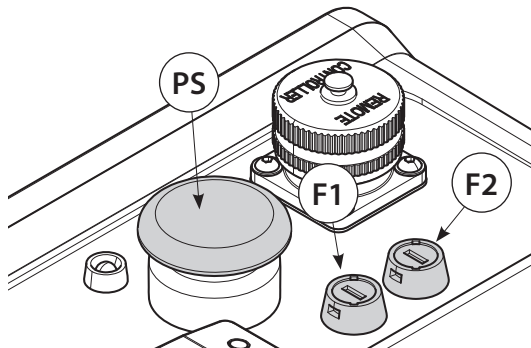
**⚠** *Bei einem Ölwechsel sind unbedingt die vorgeschriebenen Normen zur Entsorgung von Altöl zu beachten.*

### 5.2) Schmelzsicherungen

Die Pumpe verfügt über zwei Sicherungen:

F1: Schmelzsicherung 10A (5X20) für den Motor.

F2: Schmelzsicherung 2A (5X20) für die Hilfsspannung 24 V.



*Beim Austausch nur Sicherungen mit den gleichen Parametern verwenden.*

### 5.3) Interne Komponenten von der Anlage (Siehe Bild 8, Seite 37)

- C** MOTOR IN BEWEGUNG KONDENSATOR 450V 16 $\mu$ F
- C1** MOTORSTART KONDENSATOR 450V 40 $\mu$ F
- EV** ELEKTROVENTIL 24V DC
- PR** DRUCKSCHALTER 24V DC
- RC** STROMRELAIS
- R** KONDENSATOR ABLASS WIDERSTAND 6,8 K
- SE** STEUERUNGSPLATINE
- TL** STARTRELAIS
- TR** TRANSFORMATOR

## 6. HINWEISE ZUR FEHLERBEHEBUNG

FEHLER	MÖGLICHE URSACHEN	LÖSUNGEN
Beim Drücken des Startknopfes läuft die Pumpe nicht an.	<i>Schmelzsicherung F1 und F2 defekt.</i>	Die Schmelzsicherung kontrollieren und wenn notwendig mit gleichwertiger ersetzen.
	<i>Unkorrekte Verbindung des Kabels der Fernbedienung oder Steckdose.</i>	Sich vergewissern, daß der Stecker auf korrekte Weise eingesetzt und blockiert ist (siehe § 3.1).
Die Pumpeläuft an, hält aber sofort wieder an.	<i>Unkorrekte Verbindung des Hochdruckschlauch mit der Pumpe bzw. mit dem Kopf.</i>	Die Verbindung überprüfen, indem die Schnellanschlüsse tief eingesetzt werden, um sie in der vorgesehenen Position zu blockieren (siehe § 3.1).
Die Pumpe läuft an, aber das Öl erreicht den vorgesehenen Druck nicht. Gelbe Led blinkt.	<i>Nicht ausreichende Ölmenge im Behälter.</i>	Öl nachfüllen (siehe § 3.3 und 5.1).
	<i>Ölverlust im Ölkreislauf.</i>	Hydraulische Verbindungen kontrollieren (siehe § 3.1).
Nach einem intensiven Einsatz startet die Pumpe nicht. Gelbe LED leuchtet ständig.	<i>Eingriff der thermischen Schutzvorrichtung wegen übermäßiger Erwärmung des Motors.</i>	Die Pumpe ruhen lassen und das Sinken der Motortemperatur abwarten (siehe § 3.3).
Der Hochdruckschlauch lässt sich nicht an die Pumpe kuppeln.	<i>Im Hochdruckschlauch ist noch Druck aufgebaut.</i>	Den Schlauch an die Pumpe kuppeln und gleichzeitig den Druckablassknopf (PS) betätigen.

Sollte die Pumpe nach diesen Maßnahmen immer noch nicht auf korrekte Weise funktionieren, muss die Pumpe zu CEMBRE eingeschickt werden (siehe § 7 Seite 34).

## BOMBA ELECTRO-HIDRAULICA

### ATENCIÓN!

- Cuando se utilizan equipos eléctricos se tienen que respetar siempre las precauciones base de seguridad para reducir el riesgo de incendio, descarga eléctrica y daños personales.
- Asegurarse que el interruptor general esté en la posición "0" (abierto) antes de insertar el enchufe de alimentación.
- Prestar atención en el trabajo, no distraerse y no perder el equilibrio durante la utilización.
- Las bombas hidráulicas fabricadas por CEMBRE S.p.A. han sido desarrolladas para ser usadas con cabezas de compresión y de corte. En función de su uso específico no necesitan, y por eso no están equipadas con un sistema de seguridad antirretorno de aceite.  
Por esta razón su empleo en cualquier aplicación diferente de aquellas a la que están destinadas, por ejemplo alimentación de cilindros hidráulicos, de sistemas de levantamiento o similares, puede exponer el operario a situaciones peligrosas. CEMBRE S.p.A. no acepta ninguna responsabilidad derivada del empleo de sus bombas oleodinámicas en aplicaciones que no sean aquellas indicadas en sus catálogos u otro material informativo.

### 1. CARACTERÍSTICAS GENERALES

BOMBA TIPO:	CPE-1	CPE-1-110	CPE-1-MG CPE-1-110-MG
Presión máx.de trabajo bar (psi):	700 (10,000)		500 (7,250)
Caudal de aceite: litros/min (gpm):	0,8 (0.21)		
Motor eléctrico monofásico:	230 ~ / 50-60	110-115 ~ / 50-60	230 ~ / 50-60 [CPE-1-MG] 110-115 ~ / 50-60 [CPE-1-110-MG]
alimentación Volt/Hz:	4,8 (50 Hz)	9,6 (50 Hz)	9,6 [CPE-1-MG]
corriente Ampere:	4,6 (60 Hz)	9,2 (60 Hz)	9,2 [CPE-1-110-MG]
Potencia Watt (HP):	1050 (1.4)		
Circuitos auxiliares internos Volt:	24 DC		
Capacidad del deposito litros(gal.US):	2,0 (0.52)		
Peso kg (lbs):	21 (46)		
Dimensiones mm (inches):	372 x 223 x 482 (14.6 x 8.8 x 19)		
Grado de protección:	IP 55		
Aceites recomendados:	ENI ARNICA ISO 22 o ESSO INVAROL EP 22 o equivalente		
Mando manual:	X		
Pedal de mando:			X
Seguridad:	La bomba está provista de una válvula de seguridad y de presóstato; la presión correcta del presóstato es verificable mediante el instrumento adecuado MPC1 (véase pag. 38).		
Nivel sonoro aéreo (Directiva 2006/42/CE, anexo 1, punto 1.7.4.2, letra u)			
- El nivel de presión acústica continua equivalente ponderado A en el puesto de trabajo $L_{pA}$ es de.....	73 dB (A)		
- El nivel máximo de la presión acústica instantánea ponderada C en el puesto de trabajo $L_{pCPeak}$ es.....	< 130 dB (C)		
- El nivel de potencia acústica emitida por la máquina $L_{WA}$ es igual a.....	88 dB (A)		

## 2. DESCRIPCIÓN DE LA BOMBA (Ref. a Fig. 1, pag. 3)

- C** CONECTOR PARA LA CONEXION DEL MANDO (MANUAL O PEDAL)
- C1** CABLE DE ALIMENTACION CON ENCHUFE ELECTRICO (2P+T)
- F** FUSIBLES DE PROTECCION
- IG** INTERRUPTOR GENERAL I / O
- IR** ACOPLAMIENTO AUTOMATICO HEMBRA
- IM** EMPUÑADURA DE TRANSPORTE
- LA** LED DE SEÑALACIÓN ALARMAS
- MT** MOTOR ELECTRICO
- PO** BOMBA HIDRAULICA/DEPOSITO DE ACEITE
- PC** MANDO MANUAL
- PF** PEDAL DE MANDO
- PS** BOTON DE DESCARGA PRESION / EMERGENCIA
- QE** CUADRO ELECTRICO
- TF** MANGUERA FLEXIBLE DE 3 METROS (9.8 ft) DE LONGITUD

## 3. INSTRUCCIONES DE USO

### 3.1) Preparación

- Transportar la bomba por medio de la empuñadura (IM) y colocarla sobre una superficie plana y estable en un lugar seco.

**⚠ ANTES DE UTILIZAR POR PRIMERA VEZ LA BOMBA ES NECESARIO SUSTITUIR EL TAPÓN DE TRANSPORTE CON EL TAPÓN DE TRABAJO SUMINISTRADO EN DOTACIÓN.**

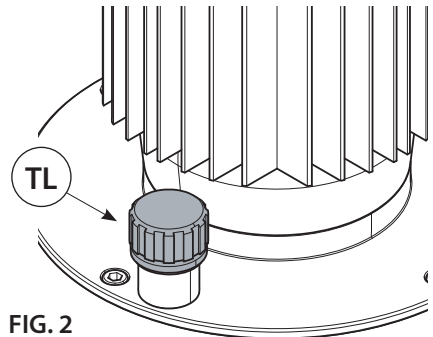


FIG. 2

- Para evitar pérdidas de aceite durante el transporte, la bomba es suministrada con un tapón hermético. Para un correcto funcionamiento de la bomba este tapón debe ser sustituido con el tapón de trabajo (TL) (Fig. 2) de color naranja dotado de barra de nivel del aceite (suministrado en dotación).
  - Destornillar el tapón de transporte y atornillar a fondo el tapón de trabajo (TL).
  - Controlar que la tensión de red corresponda a la indicada en la etiqueta de identificación, después conectar el enchufe de alimentación: se iluminará el interruptor general (IG) indicando la presencia de energía eléctrica.
- La bomba debe estar conectada exclusivamente a tomas eléctricas completas con contacto de tierra.**
- Quitar el tapón de protección "REMOTE CONTROL", conectar el mando al conector (C) (véase Fig. 4 pag. 35): apretar el conector (CP) girando la abrazadera (G) en el sentido horario hasta que quede bloqueada.
  - Conectar la manguera flexible para alta presión (TF) al acoplamiento rápido hembra (IR) sobre la bomba y al acoplamiento macho de la cabeza hidráulica (ver Fig. 4 y 5).



### 3.2) Funcionamiento

- Alimentar la bomba presionando el interruptor general (IG) en posición "I".
- Asir el mando (PC) y presionar el botón de arranque (VERDE), de esta manera se activa el motor de la bomba que pone el aceite bajo presión y alimenta la cabeza hidráulica conectada.
- **Una vez alcanzada la presión de funcionamiento la bomba se detiene automáticamente** al activarse el presóstato y la presión se mantiene; si se suelta el botón el aceite vuelve al depósito y por lo tanto el pistón de la cabeza hidráulica conectada vuelve a la posición de origen.

#### NOTAS:

- Si se suelta el botón de arranque antes de que haya sido alcanzada la presión nominal de funcionamiento, la bomba se detiene y mantendrá estable la presión del aceite al valor alcanzado en ese momento. Para llevar a cabo el ciclo de trabajo, habrá que presionar nuevamente el botón de arranque y mantenerlo presionado.
- Cuando se presiona el botón de descarga (ROJO) antes de que haya sido alcanzada la presión nominal de funcionamiento el aceite vuelve al depósito. Al soltar el botón de descarga en cualquier momento, se interrumpe la fase de retorno aceite de la bomba y el pistón de la cabeza hidráulica se detendrá en la posición que tenga en ese momento.
- En caso de necesidad, apretar a fondo el botón mecánico de descarga (PS) Fig. 3 situado sobre la bomba al fin de obtener el retorno del aceite en el depósito independientemente del estado de la red eléctrica.

### 3.3) Señalización alarmas

La bomba está equipada con un sistema de diagnóstico; el encendido del led amarillo (LA) Fig. 3 señala eventuales anomalías de funcionamiento **con consiguiente bloqueo de la bomba**.

- EL ENCENDIDO DEL LED AMARILLO señala la intervención de la protección térmica en el interior del motor eléctrico, debido normalmente a un empleo intensivo y prolongado de la bomba. Para restablecer el funcionamiento de la bomba, esperar el enfriamiento del motor por lo tanto apagarla y reenchufarla actuando sobre el interruptor general (IG).

**Nota: si el motor no se ha enfriado suficientemente la bomba no vuelve a activarse.**

- EL LED AMARILLO intermitente señala el fallido logro de la presión de ejercicio dentro de 90 segundos de funcionamiento continuo. En tal caso se aconseja averiguar el nivel del aceite en el depósito de aceite o eventuales pérdidas de aceite durante el funcionamiento además de los acoplamientos entre bomba y cabeza hidráulica. Para restablecer el funcionamiento de la bomba, apagarla y reactivarla actuando sobre el interruptor general (IG), o pulsar el botón de descarga de presión sobre el mando manual.

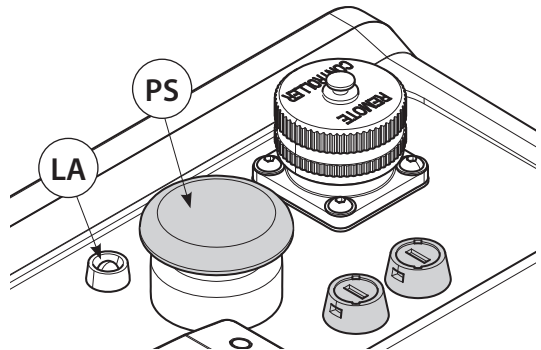


FIG. 3

### 3.3) Puesta en reposo

- Terminado el trabajo **soltar siempre y completamente la presión del aceite** apretando el botón de descarga y comprobar que el pistón de la cabeza esté completamente retraído.
- Apagar la bomba presionando el interruptor general (IG) en posición "0".
- Desconectar el enchufe de alimentación en caso de largos períodos de inactividad.

## 4. ADVERTENCIAS

La bomba es robusta y no requiere cuidados especiales. Para obtener un funcionamiento correcto, bastará tener algunas precauciones sencillas:

- Evitar terrenos sucios; el polvo y la arena representan un peligro para todo equipo hidráulico.
- El cable de alimentación debe estar absolutamente íntegro, si presentara daños visibles deberá ser sustituido inmediatamente.  
Si fuera necesario aumentar la longitud del cable de alimentación utilizar solamente prolongaciones de tres conductores (2P+T) de sección adecuada.
- No tires nunca el cable para desconectarlo del enchufe.
- Tener el cable lejos de calor, aceite y esquinas vivas.
- Guardar la bomba en un lugar seco durante los períodos de inactividad.

### 4.1) Manguera flexible

No doblar nunca bruscamente la manguera flexible, no torcerlo ni pisarlo.

Guardarla teniendo cuidado de mantener el radio de curvatura más amplio posible.

**⚠** *Las mangueras hidráulicas de alta presión están sujetas a un envejecimiento natural que puede reducir su rendimiento; como resultado su vida útil es limitada.*

*Con el fin de garantizar a los operarios el uso seguro de sus unidades, CEMBRE recomienda reemplazar la manguera en un plazo de 10 años a partir de la fecha impresa sobre los empalmes de la manguera.*

**⚠** *Antes de utilizar la bomba, comprobar siempre la integridad de la manguera flexible y de los acoplamientos rápidos, asegúrese de que no haya abrasiones, cortes, deformaciones o hinchazones.*

## 5. MANTENIMIENTO

**⚠** *No abrir absolutamente el cuadro eléctrico o efectuar operaciones de mantenimiento con la bomba en tensión o con el cable de alimentación conectado a una toma eléctrica. Si fuera necesaria la sustitución de los componentes de la bomba utilizar solamente repuestos originales.*

Tras cada día de uso, se debe limpiar la bomba y los accesorios con un trapo limpio, teniendo cuidado de eliminar la suciedad depositada especialmente en los conectores del mando y los acoplamientos rápidos.

Es posible verificar la presión nominal de trabajo mediante el instrumento adecuado MPC1 (véase pag. 38).

### 5.1) Rellenado de aceite (Ref. a Fig. 6 y 7 pag. 36)

Controlar periódicamente, por lo menos cada 6 meses, el nivel de aceite en el depósito de la bomba:

- Apoyar la bomba sobre un plano horizontal.
- Descargar completamente la presión del aceite apretando el botón de descarga (PS).
- Destornillar y quitar el tapón (TL) y verificar el nivel de aceite; en caso de necesidad, **añadir aceite muy lentamente. NO RELLENES MÁS ALLÁ DEL NIVEL MÁXIMO para evitar derrames de aceite durante el funcionamiento.**
- A operación terminada, atornillar completamente el tapón (TL).  
 En el caso de que fuera necesario vaciar el depósito de aceite, descargar el aceite sacando el tapón con la parte magnética (TV) (Fig. 7), situado al fondo de la bomba.

*Use exclusivamente uno de los tipos de aceite recomendados en el Epiq. 1.*

*No use nunca aceite usado.*

*Debe ser aceite limpio.*

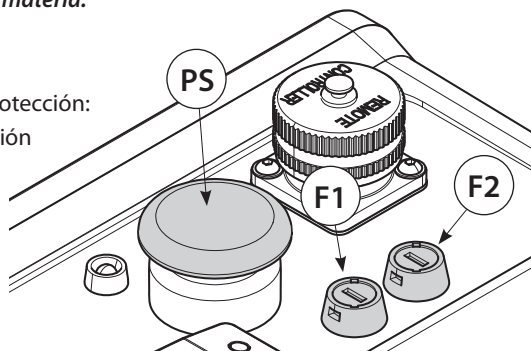
**⚠** *En caso de un eventual cambio de aceite, deposite el aceite usado, respetando escrupulosamente la legislación específica respecto a la materia.*

### 5.2) Fusibles de protección

La bomba está dotada de dos fusibles de protección:

F1: fusible 10A (5X20) de red para la protección del motor.

F2: fusible 2A (5X20) para la protección de los circuitos auxiliares 24V.



*En caso de sustitución utilizar solamente fusibles de iguales características.*

### 5.3) Componentes del panel eléctrico interno (Ref. a Fig. 8 pag. 37)

- C** CONDENSADOR DE MARCHA 450V 16 $\mu$ F
- C1** CONDENSADOR DEI ARRANQUE 450V 40 $\mu$ F
- EV** ELECTROVALVULA 24V DC
- PR** PRESOSTADO 24V DC
- RC** RELÉ DE CORRIENTE
- R** RESISTENCIA DE DESCARGA CONDENSADOR 6,8 K
- SE** TARJETA ELECTRONICA
- TL** RELE DE ACCIONAMIENTO
- TR** TRANSFORMADOR

6. FUNCIONAMIENTO ANÓMALO DE LA BOMBA Y SOLUCIONES POSIBLES

INCONVENIENTES	POSIBLES CAUSAS	REMEDIOS
Apretando el mando de accionamiento la bomba no se pone en marcha.	<i>Fusible F1 o F2 interrumpido.</i>	Verificar los fusibles y reemplazar con otros equivalentes.
	<i>Conexión incorrecta del mando o de la alimentación eléctrica.</i>	Verificar que el conector esté correctamente insertado y bloqueado (véase § 3.1).
La bomba se pone en marcha pero se apaga enseguida.	<i>Conexión incorrecta de la manguera de alta presión a la bomba o a la cabeza.</i>	Verificar la conexión insertando a fondo los acoplamientos rápidos para obtener el bloqueo (véase § 3.1).
La bomba se pone en marcha pero el aceite no se pone en presión, el led amarillo se ilumina parpadeando.	<i>Insuficiente cantidad de aceite en el depósito.</i>	Proceder al rellenado del aceite (véase § 3.3 y 5.1).
	<i>Pérdida de aceite del circuito hidráulico.</i>	Verificar las conexiones hidráulicas (véase § 3.1).
Después de un empleo intensivo, la bomba no arranca y el led amarillo permanece iluminado.	<i>Activación de la protección térmica debido a un recalentamiento del motor.</i>	Dejar descansar la bomba y esperar que la temperatura del motor descienda (véase § 3.3).
No es posible conectar la manguera flexible a la cabeza.	<i>Presión residual del aceite en la manguera.</i>	Conectar la manguera flexible a la bomba, pulsando el botón de descarga (PS).

Si, aún después de estas intervenciones, la bomba no funcionara correctamente, llevarla a CEMBRE (véase § 7 pag. 34).

## POMPA ELETTRO-OLEODINAMICA

### ATTENZIONE!

- Quando si utilizzano apparecchiature elettriche si devono sempre rispettare le precauzioni base di sicurezza per ridurre il rischio di incendio, scossa elettrica e danni personali.
- Accertarsi che l'interruttore generale sia nella posizione "0" (aperto) prima di inserire la spina di alimentazione.
- Prestare attenzione al lavoro, non distrarsi e non sbilanciarsi durante l'utilizzo.
- Le pompe oleodinamiche prodotte da CEMBRE S.p.A. sono state sviluppate per essere usate con teste da compressione e da taglio. In funzione del loro impiego specifico non necessitano, e quindi non sono dotate, di un sistema sicuro di antiritorno dell'olio.  
Per questa ragione il loro uso in qualsiasi applicazione diversa da quelle a cui sono destinate (ad esempio alimentazione di martinetti idraulici, di sistemi di sollevamento o similari), può esporre l'operatore a pericolo.  
CEMBRE S.p.A. non accetta alcuna responsabilità derivante dall'uso delle sue pompe oleodinamiche in applicazioni che non siano quelle indicate sui propri cataloghi o altro materiale informativo.

### 1. CARATTERISTICHE GENERALI

POMPA TIPO:	CPE-1	CPE-1-110	CPE-1-MG CPE-1-110-MG
Pressione max.di esercizio bar (psi):	700 (10,000)		500 (7,250)
Portata olio: litri/min (gpm):	0,8 (0.21)		
Motore elettrico monofase:	230 ~ / 50-60	110-115 ~ / 50-60	230 ~ / 50-60 [CPE-1-MG] 110-115 ~ / 50-60 [CPE-1-110-MG]
alimentazione Volt/Hz:	4,8 (50 Hz)	9,6 (50 Hz)	9,6 [CPE-1-MG]
corrente assorbita Ampere:	4,6 (60 Hz)	9,2 (60 Hz)	9,2 [CPE-1-110-MG]
Potenza assorbita Watt (HP):	1050 (1.4)		
Circuiti ausiliari interni Volt:	24 DC		
Capacità serbatoio litri (gal.US):	2,0 (0.52)		
Peso kg (lbs):	21 (46)		
Dimensioni mm (inches):	372 x 223 x 482 (14.6 x 8.8 x 19)		
Grado di protezione:	IP 55		
Olio consigliato:	ENI ARNICA ISO 22 o ESSO INVAROL EP 22 o equivalente		
Pulsantiera di comando:	X		
Pedaliera di comando:			X
<b>Sicurezza:</b> la pompa è munita di valvola di massima pressione e di pressostato la cui corretta taratura è verificabile mediante l'apposito strumento MPC1 fornibile a richiesta (Rif.a pag. 38).			
<b>Rumore Aereo (Direttiva 2006/42/CE, allegato 1, punto 1.7.4.2, lettera u)</b>			
– Il livello di pressione acustica continuo equivalente ponderato A nel posto di lavoro $L_{pA}$ è pari a ..... 73 dB (A)			
– Il valore massimo della pressione acustica istantanea ponderata C nel posto di lavoro $L_{pCPeak}$ è ..... < 130 dB (C)			
– Il livello di potenza acustica emessa dalla macchina $L_{WA}$ è pari a ..... 88 dB (A)			

## 2. DESCRIZIONE DELLA POMPA (Rif. a Fig. 1 pag. 3)

- C** CONNETTORE PER IL COLLEGAMENTO DEL COMANDO (PULSANTIERA / PEDALIERA)
- C1** CAVO D'ALIMENTAZIONE PROVVIDO DI SPINA SERIE INDUSTRIALE (2P+T)
- F** FUSIBILI DI PROTEZIONE
- IG** INTERRUTTORE GENERALE I / O
- IR** INNESTO RAPIDO FEMMINA A BLOCCAGGIO AUTOMATICO
- IM** IMPUGNATURA PER IL TRASPORTO
- LA** LED SEGNALE ALLARMI
- MT** MOTORE ELETTRICO
- PO** POMPA IDRAULICA / SERBATOIO OLIO
- PC** PULSANTIERA DI COMANDO
- PF** PEDALIERA DI COMANDO
- PS** PULSANTE DI SCARICO OLIO / EMERGENZA
- QE** QUADRO ELETTRICO
- TF** TUBO FLESSIBILE ALTA PRESSIONE LUNGHEZZA 3 METRI (9.8 ft)

## 3. ISTRUZIONI PER L'USO

### 3.1) Preparazione

Trasportare la pompa tramite l'impugnatura (IM) e posizionarla stabilmente su una superficie piana, in un luogo asciutto.

**⚠ PRIMA DI UTILIZZARE LA POMPA PER LA PRIMA VOLTA È NECESSARIO SOSTITUIRE IL TAPPO DI TRASPORTO CON IL TAPPO DI LAVORO FORNITO IN DOTAZIONE.**

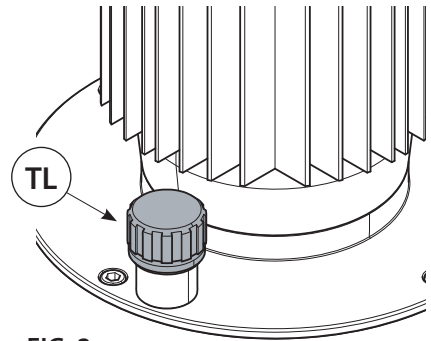


FIG. 2

- Per evitare perdite d'olio durante il trasporto, la pompa viene fornita con un tappo ermetico. Per un corretto funzionamento della pompa, svitare il tappo di trasporto e avvitare a fondo il tappo di lavoro (TL) (Fig. 2) color arancione provvisto di astina per la verifica del livello dell'olio.
- Controllare che la tensione di rete corrisponda a quella di targa quindi collegare la spina di alimentazione: si illuminerà l'interruttore generale (IG) indicando la presenza di energia elettrica. **La pompa deve essere allacciata esclusivamente a prese elettriche complete di contatto di terra.**
- Togliere il tappo di protezione "REMOTE CONTROL" e collegare il comando al connettore (C) (Fig. 4 pag. 35): inserire il connettore (CP) e ruotare la ghiera (G) in senso orario fino al suo blocco.
- Collegare le due estremità del tubo flessibile (TF) all'innesto femmina (IR) della pompa e all'innesto maschio della testa oleodinamica (vedi Fig. 4 e 5).

### 3.2) Funzionamento

Accendere la pompa portando l'interruttore generale (IG) in posizione "I" quindi:

- Impugnare la pulsantiera (PC) e premere il pulsante di avvio (VERDE); in questo modo viene attivato il motore della pompa che porta in pressione l'olio ed alimenta la testa oleodinamica ad essa collegata.
- **Raggiunta la pressione di esercizio, la pompa si arresta automaticamente grazie** all'intervento del pressostato e la pressione viene mantenuta; rilasciando tale pulsante, si otterrà lo scarico automatico dell'olio e il ritorno completo del pistone della testa oleodinamica collegata alla pompa.

NOTE:

- *Rilasciando il pulsante di avvio prima del raggiungimento della pressione di esercizio, la pompa si fermerà mantenendo la pressione dell'olio stabile al valore raggiunto in quel momento; per completare il ciclo di lavoro premere nuovamente il pulsante di avvio.*
- *Premendo il pulsante di rilascio (ROSSO) prima del raggiungimento della pressione di esercizio si otterrà lo scarico dell'olio; in questa fase, rilasciando tale pulsante, è possibile interrompere la fase di scarico dell'olio in qualsiasi momento e il pistone della testa oleodinamica si fermerà nella posizione raggiunta in quel momento)*
- *In caso di necessità, premendo a fondo il pulsante meccanico di scarico (PS) Fig. 3 a bordo pompa, è possibile ottenere lo scarico dell'olio nel serbatoio in qualsiasi momento, anche in assenza di tensione.*

### 3.3) Segnalazione allarmi

La pompa è dotata di un sistema di diagnostica; l'accensione del led giallo (LA) Fig. 3 segnala eventuali anomalie di funzionamento **con conseguente blocco della pompa**.

- L'ACCENSIONE DEL LED GIALLO segnala l'intervento della protezione termica all'interno del motore elettrico (dovuto normalmente ad un uso intensivo e prolungato della pompa).

Per ripristinare il funzionamento della pompa, attendere il raffreddamento del motore quindi spegnerla e riaccenderla agendo sull'interruttore generale (IG).

**Nota: se il motore non si è sufficientemente raffreddato la pompa non riparte.**

- IL LED GIALLO LAMPEGGIANTE segnala il mancato raggiungimento della pressione di esercizio entro 90 secondi di funzionamento continuo.

In tal caso si consiglia di verificare il livello dell'olio nel serbatoio o eventuali perdite d'olio durante il funzionamento nonché i collegamenti fra pompa e testa oleodinamica. Per ripristinare il funzionamento della pompa, spegnerla e riaccenderla agendo sull'interruttore generale (IG) o premere il rilascio sul comando.

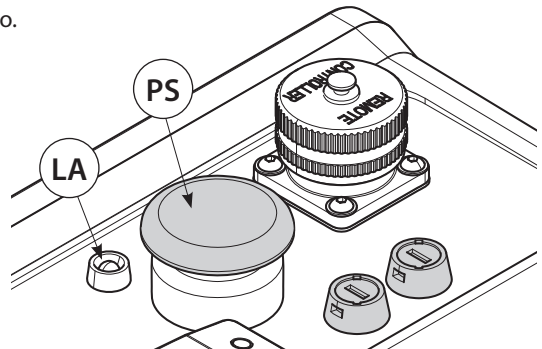


FIG. 3

### 3.4) Messa a riposo

A lavoro ultimato, **rilasciare sempre e completamente la pressione dell'olio** mantenendo premuto il pulsante di rilascio assicurandosi che il pistone della testa collegata alla pompa sia completamente represso.

- Spegnere la pompa portando l'interruttore generale (IG) in posizione "0".
- Scollegare la spina di alimentazione in caso di lunghi periodi di inattività.

## 4. AVVERTENZE

La pompa é robusta e non richiede attenzioni particolari; per ottenere un corretto funzionamento basterà quindi osservare alcune semplici precauzioni:

- Evitare terreni sporchi: la polvere e la sabbia rappresentano un pericolo per ogni apparecchiatura oleodinamica.
- Il cavo di alimentazione deve essere assolutamente integro, qualora presentasse danni visibili dovrà essere immediatamente sostituito.

Se fosse necessario aumentare la lunghezza del cavo di alimentazione utilizzare solo prolunghe a tre conduttori (2P + T) di sezione adeguata.


**Non tirare mai il cavo per scollegarlo dalla presa.**

**Tenere il cavo lontano da calore, olio e spigoli vivi.**


- Custodire la pompa e gli accessori in luogo asciutto durante i periodi di inattività.

### 4.1) Tubo flessibile


Il tubo flessibile non deve essere mai piegato bruscamente, annodato o calpestato. Va riposto avendo cura di fargli compiere il più largo raggio di curvatura possibile.

 ***I tubi flessibili per alta pressione sono soggetti a naturale invecchiamento che ne può ridurre le prestazioni; di conseguenza la loro durata di vita è limitata.***

***Al fine di garantire agli operatori un uso sicuro delle proprie unità, CEMBRE raccomanda di effettuare la sostituzione del tubo flessibile entro 10 anni dalla data impressa sui raccordi del tubo stesso.***

 ***Prima di utilizzare la pompa verificare sempre l'integrità del tubo flessibile e degli innesti rapidi, assicurarsi che non siano presenti abrasioni, tagli, deformazioni o rigonfiamenti.***

## 5. MANUTENZIONE

 ***Non aprire assolutamente il quadro elettrico o effettuare operazioni di manutenzione con la pompa in tensione ovvero col cavo di alimentazione allacciato ad una presa elettrica. Se fosse necessaria la sostituzione di componenti della pompa utilizzare solo ricambi originali.***

Dopo ogni giorno d'uso si deve ripulire l'unità e gli accessori con uno straccio pulito avendo cura di eliminare lo sporco depositatosi su di essi specialmente i connettori del comando a distanza e gli innesti rapidi.

E' possibile controllare la pressione nominale di esercizio mediante l'apposito strumento MPC1 fornibile a richiesta (vedi pag. 38).



### 5.1) Rabbocco dell'olio (Rif. a Fig. 6 e 7 pag. 36)

Controllare periodicamente (almeno ogni 6 mesi) il livello dell'olio nel serbatoio:

- Appoggiare la pompa su un piano orizzontale.
- Scaricare completamente l'olio premendo il pulsante di scarico (PS).
- Svitare il tappo (TL) e verificare il livello dell'olio sull'astina, se necessario **rabboccare molto lentamente. NON RABBOCCARE OLTRE IL LIVELLO MASSIMO per evitare fuoriuscite di olio durante il funzionamento.**
- A operazione conclusa, avvitare a fondo il tappo (TL).

Nel caso si rendesse necessario uno svuotamento dell'olio contenuto nel serbatoio, scaricare l'olio togliendo il tappo (TV) (Fig. 7) situato sul fondo della pompa; ripulire il tappo (TV) da eventuali residui metallici prima di rimontarlo.

**Usare esclusivamente olio del tipo consigliato al § 1.**

**Mai usare olio rigenerato o usato.**

**È necessario che l'olio sia pulito.**

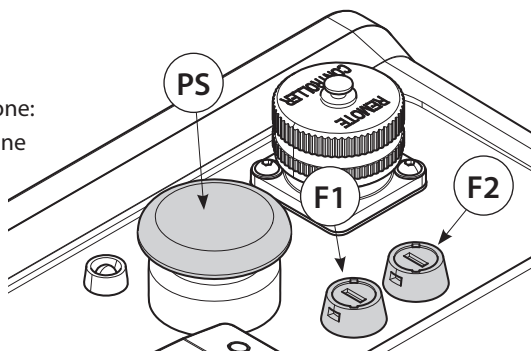
**⚠ In occasione di eventuali sostituzioni dell'olio, smaltire l'olio esausto attenendosi scrupolosamente alla legislazione specifica in materia.**

### 5.2) Fusibili di protezione

La pompa è dotata di due fusibili di protezione:

F1: fusibile 10A (5X20) di rete per la protezione del motore.

F2: fusibile 2A (5X20) per la protezione dei circuiti ausiliari 24V.



**In caso di sostituzione utilizzare solamente fusibili equivalenti a quelli indicati.**

### 5.3) Componenti interno quadro (Rif. a Fig. 8 pag. 37)

- C** CONDENSATORE DI MARCIA 450V 16 $\mu$ F
- C1** CONDENSATORE DI AVVIAMENTO 450V 40 $\mu$ F
- EV** ELETTROVALVOLA 24V DC
- PR** PRESSOSTATO 24V DC
- RC** RELÈ AMPEROMETRICO
- R** RESISTENZA DI SCARICA CONDENSATORE 6,8 K
- SE** SCHEDA ELETTRONICA
- TL** RELÈ DI AZIONAMENTO
- TR** TRASFORMATORE

## 6. FUNZIONAMENTO ANOMALO DELLA POMPA

INCONVENIENTI	POSSIBILI CAUSE	RIMEDI
Premendo il pulsante di avvio sulla pulsantiera di comando, la pompa non parte.	<i>Fusibile F1 o F2 interrotto.</i>	Verificare fusibili e se necessario sostituirli con equivalenti.
	<i>Collegamento non corretto della pulsantiera di comando alla pompa o del cavo di alimentazione.</i>	Verificare il collegamento della pulsantiera bloccando a fondo il connettore (vedi § 3.1).
La pompa parte ma si spegne subito.	<i>Collegamento non corretto del tubo flessibile alla pompa o alla testa.</i>	Verificare il collegamento inserendo a fondo gli innesti rapidi per ottenerne il bloccaggio (vedi § 3.1).
La pompa parte ma l'olio non va in pressione, il led giallo lampeggia.	<i>Insufficiente quantità d'olio nel serbatoio.</i>	Provvedere al rabbocco dell'olio (vedi § 3.3 e 5.1).
	<i>Perdita d'olio dal circuito oleodinamico.</i>	Verificare collegamenti idraulici (vedi § 3.1).
Dopo un uso intensivo la pompa non parte e il led giallo rimane acceso.	<i>Intervento della protezione termica dovuto al riscaldamento eccessivo del motore.</i>	Lasciare riposare la pompa e aspettare l'abbassamento della temperatura del motore (vedi § 3.3).
Non é possibile innestare il tubo flessibile alla pompa.	<i>Pressione residua dell'olio all'interno del tubo.</i>	Collegare il tubo flessibile alla pompa tenendo premuto il pulsante di scarico pressione (PS).

Se anche dopo questi interventi la pompa non funzionasse correttamente, inviarla alla CEMBRE (vedi § 7 pag. 34).

## **7. RETURN TO CEMBRE FOR OVERHAUL**

In the case of a breakdown contact our Area Agent who will advise you on the problem and give you the necessary instructions on how to dispatch the tool to our nearest service Centre; if possible, attach a copy of the Test Certificate supplied by CEMBRE together with the tool or fill in and attach the form available in the "ASSISTANCE" section of the CEMBRE website.

## **7. ENVOI EN REVISION A CEMBRE**

En cas de dysfonctionnement de l'appareil, merci de vous adresser à notre Agent Régional qui vous conseillera et le cas échéant vous donnera les instructions nécessaires pour envoyer l'appareil à notre Centre de Service le plus proche. Dans ce cas, joindre une copie du Certificat d'Essai livré par CEMBRE avec l'appareil ou remplir et joindre le formulaire disponible dans la section "ASSISTANCE" du site web CEMBRE.

## **7. EINSENDUNG AN CEMBRE ZUR ÜBERPRÜFUNG**

Sollten an dem Gerät Fehler auftreten, wenden Sie sich bitte an unsere Gebietsvertretung, die Sie gerne beraten und Ihnen alle nötigen Informationen zum Einsenden des Gerätes an unseren Hauptsitz geben wird. Wenn vorhanden, legen Sie dem Gerät bitte eine Kopie des von CEMBRE mitgelieferten Zertifikates bei oder füllen das, unter dem Bereich "SUPPORT" der CEMBRE Website, verfügbare Formular aus und fügen es bei.

## **7. DEVOLUCION A CEMBRE PARA REVISIONES**

En caso de fallo de la herramienta, contactar con nuestro Agente de Zona quien les aconsejará y eventualmente les facilitará las instrucciones necesarias para remitir la herramienta a nuestro centro de servicio más cercano. En tal caso, adjuntar a ser posible una copia del Certificado de Ensayo entregado en su día por CEMBRE con la herramienta o completar y adjuntar el formulario disponible en la sección "ASISTENCIA" del sitio web CEMBRE.

## **7. RESA ALLA CEMBRE PER REVISIONE**

In caso di guasto contattare il nostro Agente di Zona il quale vi consiglierà in merito e fornirà le istruzioni necessarie per l'invio dell'utensile alla nostra Sede; se possibile, allegare copia del Certificato di Collaudo a suo tempo fornito dalla CEMBRE con l'utensile oppure, compilare ed allegare il modulo disponibile nella sezione "ASSISTENZA" del sito web CEMBRE.

FIG. 4

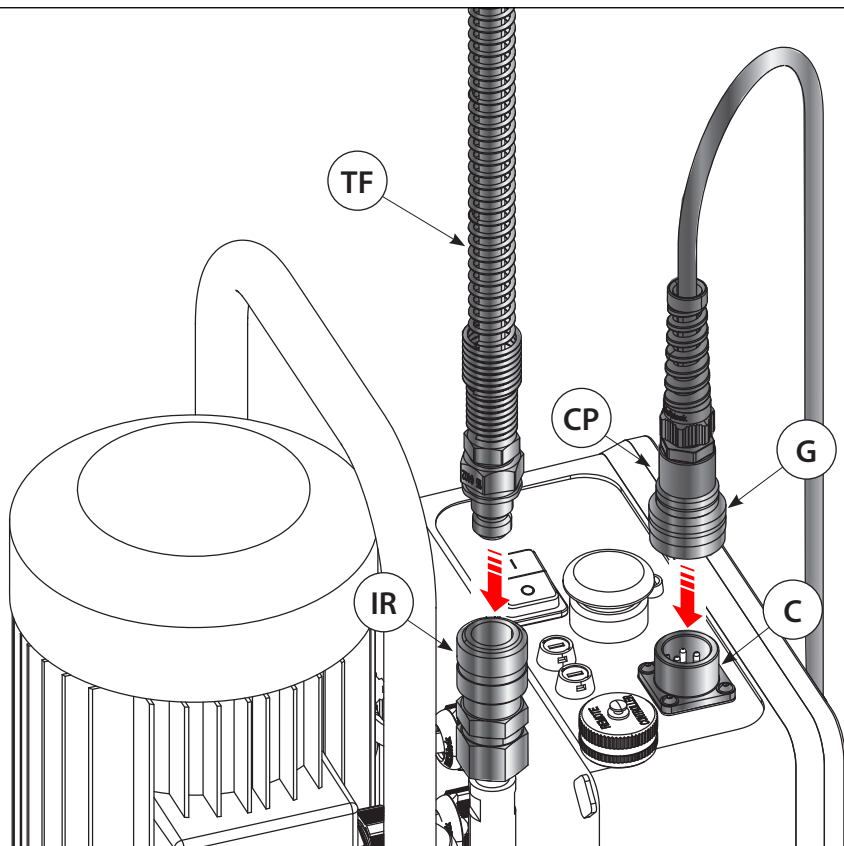


FIG. 5

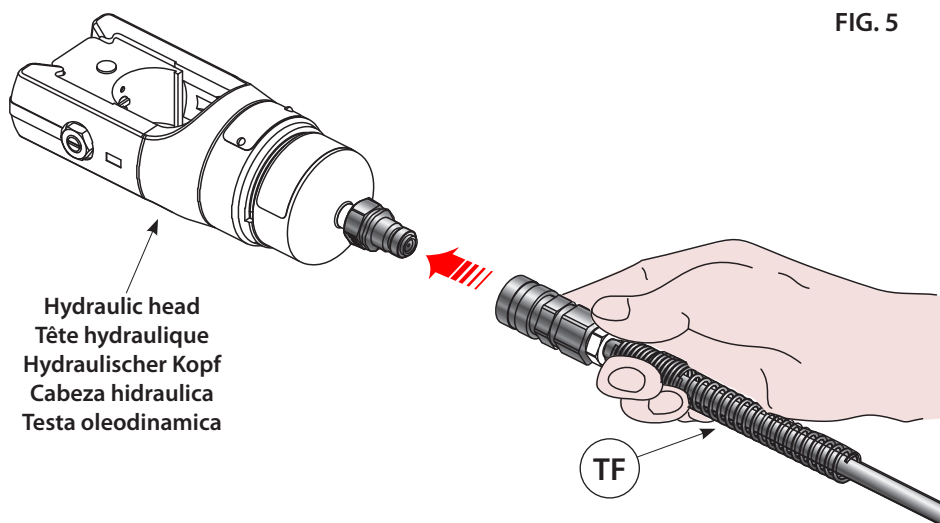


FIG. 6

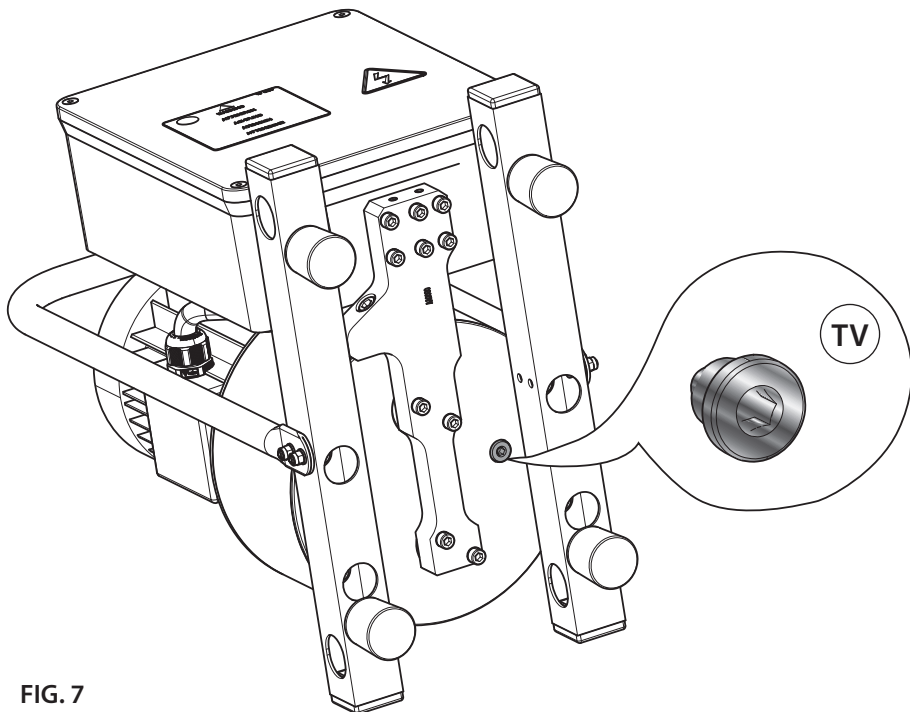
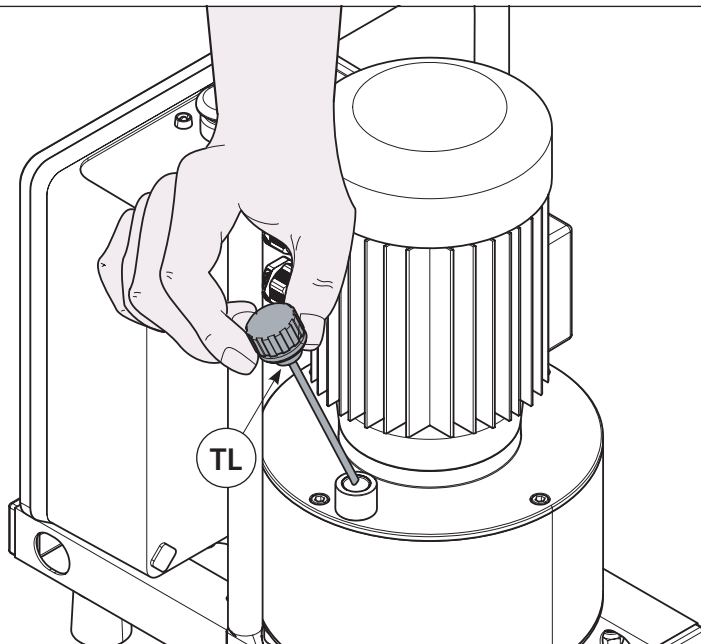


FIG. 7

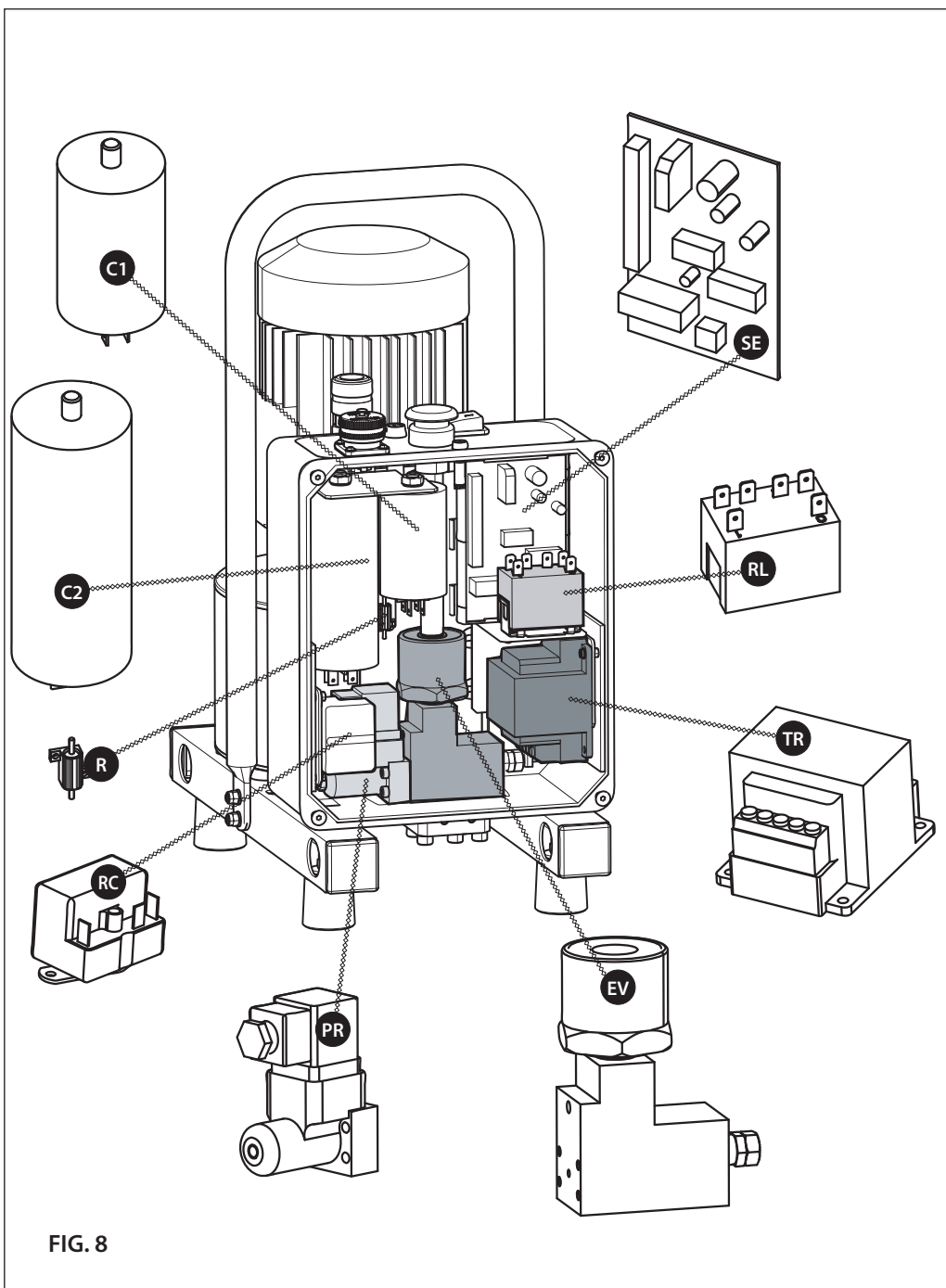


FIG. 8

8. OPTIONAL ACCESSORIES AVAILABLE ON REQUEST  
ACCESSOIRES DISPONIBLES SUR DEMANDE  
ZUBEHÖR AUF ANFRAGE  
ACCESORIOS SUMINISTRADOS BAJO DEMANDA  
ACCESSORI FORNIBILI A RICHIESTA

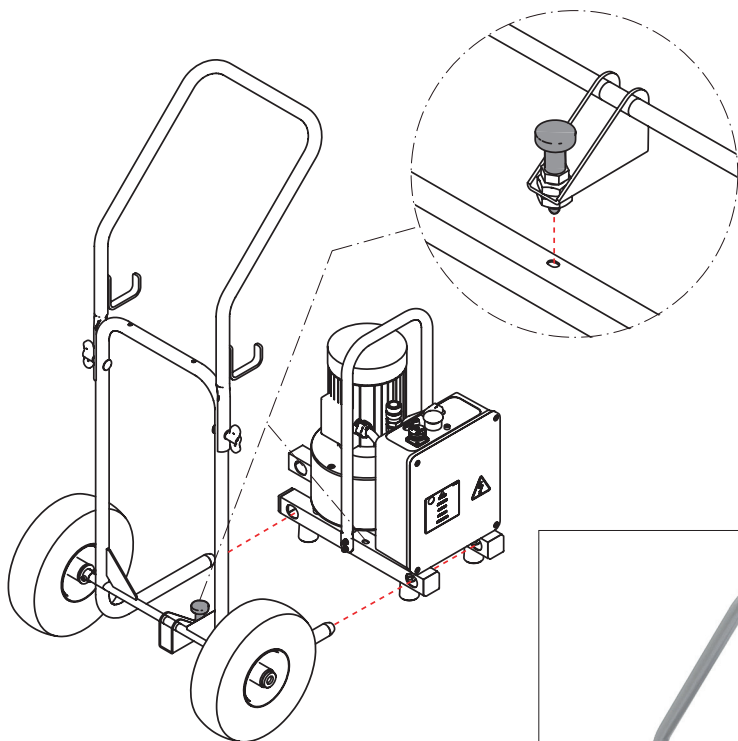


**MPC1** cod. 2595201

**GAUGE** to check the correct setting of the pressure switch  
**DISPOSITIF** pour vérifier le correcte réglage du pressostat  
**KONTROLLGERÄT** zur Überprüfung des Betriebsdruckes  
**DISPOSITIVO** para verificar la correcta taratura del presóstato  
**DISPOSITIVO** per verificare la corretta taratura del pressostato

**RCP-B70** cod. 2596116  
**REMOTE FOOT PEDAL CONTROLLER**  
**PEDALIERE DE COMMANDE**  
**FUSSSCHALTER**  
**PEDAL DE MANDO**  
**PEDALIERA DI COMANDO**





**CS-CPE-1** cod. 2592748  
TRANSPORT TROLLEY  
CHARIOT DE TRANSPORT  
TRANSPORTWAGEN  
DES CARRO DE TRANSPORTE  
CARRELLO DI TRASPORTO





# ERCH-WH cod. 2596114

## REMOTE HAND CONTROLLER

(complete with 3m flexible hose)

## POIGNEE DE COMMANDE

(avec flexible hydraulique 3m)

## HANDFERNBEDIENUNG

(komplett mit 3 m Hochdruckschlauch)

## EMPUÑADURA DE MANDO

(completa de manguera flexible 3m)

## MANOPOLA DI COMANDO

(completa di tubo flessibile 3m)

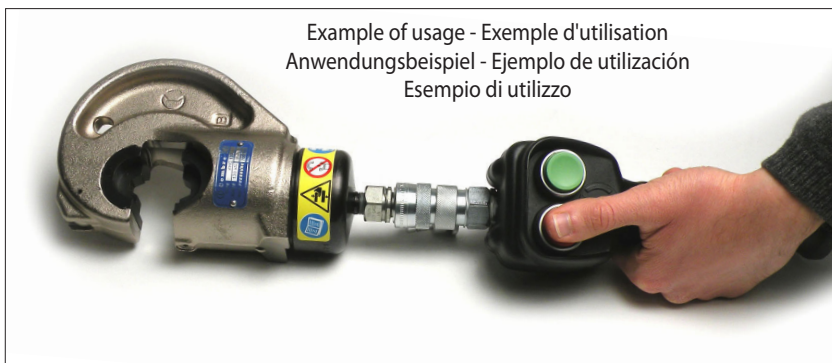


Operating push-button  
Bouton de mise en marche  
Startknopf  
Botón de arranque  
Pulsante di avvio



Pressure release button  
Bouton de décompression  
Druckablassknopf  
Botón de descarga  
Pulsante di scarico

Example of usage - Exemple d'utilisation  
Anwendungsbeispiel - Ejemplo de utilización  
Esempio di utilizzo



ENGLISH .....Page 4

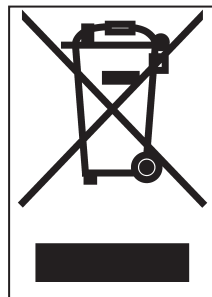
FRANÇAIS .....Page 10

DEUTSCH .....Seite 16

ESPAÑOL .....Página 22

ITALIANO.....Pagina 28

- Following information applies in member states of the European Union:
- Les informations suivantes sont destinées aux pays membres de l'Union Européenne:
- Die folgenden Hinweise gelten für Mitglieder der Europäischen Union:
- Las siguientes informaciones conciernen a los estados miembros de la Unión Europea:
- Le seguenti informazioni riguardano gli stati membri dell'Unione Europea:



## English

---

**USER INFORMATION** in accordance with “Directives 2011/65/EU and 2012/19/EU regarding the reduction of hazardous substances in electrical and electronic equipment, including the disposal of waste”.

The 'Not in the bin' symbol above when shown on equipment or packaging means that the equipment must, at the end of its life, be disposed of separately from other waste.

The separate waste collection of such equipment is organised and managed by the manufacturer.

Users wishing to dispose of such equipment must contact the manufacturer and follow the prescribed guidelines for its separate collection.

Appropriate waste separation, collection, environmentally compatible treatment and disposal is intended to reduce harmful environmental effects and promote the reuse and recycling of materials contained in the equipment.

Unlawful disposal of such equipment will be subject to the application of administrative sanctions provided by current legislation.

## Français

---

**INFORMATION POUR LES UTILISATEURS** Aux termes des “Directives 2011/65/EU et 2012/19/EU relatives à la réduction de l’utilisation de substances dangereuses dans les appareils électriques et électroniques ainsi qu’à l’élimination des déchets”

Le symbole "poubelle barrée" apposé sur l'appareil ou sur son emballage indique que le produit, à la fin de sa vie utile, doit être recueilli séparément des autres déchets.

La collecte sélective du présent appareil en fin de vie est organisée et gérée par le producteur. L'utilisateur qui voudra se défaire du présent appareil devra par conséquent contacter le producteur et suivre le système que celui-ci a adopté pour consentir la collecte séparée de l'appareil en fin de vie.

La collecte sélective adéquate pour l'envoi successif de l'appareil destiné au recyclage, au traitement et à l'élimination compatible avec l'environnement contribue à éviter les effets négatifs possibles sur l'environnement et sur la santé et favorise la réutilisation ou le recyclage des matériaux dont l'appareil est composé.

L'élimination abusive du produit par le détenteur comporte l'application des sanctions administratives prévues par les lois en vigueur.

## Deutsch

---

### **INFORMATION FÜR DEN BENUTZER** gemäß der "EG-Richtlinien 2011/65/EU und 2012/19/EU in Bezug auf den reduzierten Gebrauch von gefährlichen Substanzen in elektrischen und elektronischen Geräten, sowie auf die Abfallentsorgung".

Das durchgekennzeichnete Zeichen auf dem Mülleimer, welches auf dem Gerät oder seiner Verpackung angebracht ist, zeigt an, dass das Produkt am Ende seiner Lebenszeit getrennt von den anderen Abfällen entsorgt werden muss.

Die getrennte Abfallsammlung des vorliegenden zu entsorgenden Geräts wird vom Hersteller organisiert und verwaltet. Der Besitzer, der sich des Geräts entledigen will, muss sich daher mit dem Hersteller in Verbindung setzen und das von ihm angenommene System für die getrennte Sammlung des zu entsorgenden Geräts befolgen.

Eine angemessene getrennte Sammlung, damit das Gerät für das Recycling, die Behandlung und die umweltfreundliche Entsorgung vorbereitet werden kann, trägt dazu bei, mögliche negative Auswirkungen auf die Umwelt und auf den Gesundheitszustand zu vermeiden und begünstigt die Wiederverwertung und das Recycling der Materialien des Geräts.

Bei widerrechtlicher Entsorgung des Produkts durch den Benutzer werden die vom Gesetz vorgesehenen Verwaltungsanktionen angewandt.

## Español

---

### **INFORME PARA LOS USUARIOS** en los términos de las "Directivas 2011/65/EU y 2012/19/EU, relativas a la reducción en el empleo de sustancias peligrosas en los equipos eléctricos y electrónicos, además de la eliminación de los desechos".

El símbolo del contenedor de basura cruzado por un aspa que aparece en el equipo o sobre su embalaje indica que, al final de su ciclo de vida útil, el producto debe ser eliminado independientemente de otros desechos.

La recogida selectiva del presente equipo, llegado al final de su ciclo de vida, es organizada y manejada por el fabricante. El usuario que desee deshacerse del presente equipo deberá, por lo tanto, contactar con el fabricante y seguir el sistema adoptado por el mismo para permitir la recogida por separado del equipo que ha concluido su ciclo de vida.

La adecuada recogida selectiva, para el sucesivo envío del equipo dado de baja al reciclaje, al tratamiento y al saneamiento ambiental compatible, contribuye a evitar posibles efectos negativos sobre el medio ambiente y sobre la salud favoreciendo el reemplazo y el reciclaje de los materiales que componen el equipo. La eliminación abusiva del equipo por parte del propietario implica la aplicación de las sanciones administrativas prevista por la legislación vigente.

## Italiano

---

### **INFORMAZIONE AGLI UTENTI** ai sensi delle "Direttive Europee 2011/65/EU e 2012/19/EU, relative alla riduzione dell'uso di sostanze pericolose nelle apparecchiature elettriche ed elettroniche, nonché allo smaltimento dei rifiuti".

Il simbolo del cassonetto barrato riportato sull'apparecchiatura o sulla sua confezione indica che il prodotto, alla fine della sua vita utile, deve essere raccolto separatamente dagli altri rifiuti.

La raccolta differenziata della presente apparecchiatura giunta a fine vita è organizzata e gestita dal produttore. L'utente che vorrà disfarsi della presente apparecchiatura dovrà quindi contattare il produttore e seguire il sistema che questo ha adottato per consentire la raccolta separata dell'apparecchiatura giunta a fine vita.

L'adeguata raccolta differenziata per l'avvio successivo dell'apparecchiatura dismessa al riciclaggio, al trattamento ed allo smaltimento ambientalmente compatibile contribuisce ad evitare possibili effetti negativi sull'ambiente e sulla salute e favorisce il reimpiego e/ il riciclo dei materiali di cui è composta l'apparecchiatura. Lo smaltimento abusivo del prodotto da parte del detentore comporta l'applicazione delle sanzioni amministrative previste.



**DECLARATION OF CONFORMITY -  
DECLARATION DE CONFORMITE - KONFORMITÄTSERKLÄRUNG -  
DECLARACIÓN DE CONFORMIDAD - DICHIARAZIONE DI CONFORMITÀ**

We Nous Wir Nos Noi: **CEMBRE S.p.A. Via Serenissima, 9 – 25135 Brescia (Italy)**

Declare under our sole responsibility that the product - *Déclarons sous notre seule responsabilité que le produit*  
- Erklären in alleiniger Verantwortung dass das Produkt - *Declaramos bajo nuestra responsabilidad que el producto*  
- Dichiariamo sotto nostra unica responsabilità che il prodotto:

**CPE-1 CPE-1-110 CPE-1-MG CPE-1-110-MG**

To which this declaration relates is in conformity with the following standard(s) or other normative document(s) -  
*Auquel cette déclaration se réfère est conforme à la (aux) norme(s) ou autre(s) document(s) normatif(s) -*  
Auf dass sich diese Erklärung bezieht, mit der/den folgenden Norm(en) oder dem/den normativen Dokument(en)  
über einstimmt - *Al que se refiere esta declaración, cumple la(s) norma(s) u otro(s) documento(s) normativo(s) -*  
Al quale si riferisce questa dichiarazione è conforme alla(e) norma(e) o altro(i) documento(i) normativo(i):

**EN 55014-1/A11 EN 55014-2 EN 61000-3-2**

**EN 61000-3-3 EN 61029-1**

Following the provisions of EU directive(s) - *Conformément aux dispositions de(s) directive(s) EU -*  
Gemäß den Bestimmungen der EU Richtlinien - *De acuerdo con las disposiciones de la(s) directiva(s) EU*  
Conformemente alle disposizioni della(e) direttiva(e) EU:

**2006/42/EC 2011/65/EU 2014/30/EU**

Person authorised to compile the technical file - *Personne autorisée à constituer le dossier technique -*  
Person die bevollmächtigt ist, die technischen Unterlagen zusammenzustellen -  
*Persona facultada para elaborar el expediente técnico -* Persona autorizzata a costituire il file tecnico:

**Gianluca Cama via Serenissima, 9 – 25135 Brescia (Italy)**

Brescia **10-01-2022**

**CEMBRE**  
Felice Albertozzi  
CHIEF SALES & MARKETING OFFICER  
Cembre S.p.A.  
*Felice Albertozzi*

This manual is the property of CEMBRE: any reproduction is forbidden without written permission.  
Ce manuel est la propriété de CEMBRE: toute reproduction est interdite sauf autorisation écrite.  
Diese Bedienungsanleitung ist Eigentum der Firma CEMBRE.  
Ohne vorherige schriftliche Genehmigung darf die Bedienungsanleitung weder vollständig noch teilweise vervielfältigt werden.  
Este manual es propiedad de CEMBRE. Toda reproducción está prohibida sin autorización escrita.  
Questo manuale è di proprietà della CEMBRE: ogni riproduzione è vietata se non autorizzata per scritto.



**DECLARATION OF CONFORMITY**

We: **CEMBRE S.p.A. Via Serenissima, 9 – 25135 Brescia (Italy)**  
Declare under our sole responsibility that the product:

**CPE-1 CPE-1-110 CPE-1-MG CPE-1-110-MG**

To which this declaration relates is in conformity with the following standard(s) or other normative document(s):

**EN 55014-1/A11 EN 55014-2 EN 61000-3-2**

**EN 61000-3-3 EN 61029-1**

Following the provisions of the UK Legislation(s):

**S.I. 2008/1597 S.I. 2012/3032 S.I. 2016/1091**

Brescia **10-01-2022**

**CEMBRE**  
Felice Albertozzi  
CHIEF SALES & MARKETING OFFICER  
Cembre S.p.A.  
*Felice Albertozzi*



[www.cembre.com](http://www.cembre.com)



**CEMBRE S.p.A.**  
via Serenissima, 9  
25135 Brescia  
Italy  
Ph +39 030 36921  
[ufficio.vendite@cembre.com](mailto:ufficio.vendite@cembre.com)  
[sales@cembre.com](mailto:sales@cembre.com)

**CEMBRE Ltd.**  
Dunton Park,  
Kingsbury Road,  
Curdworth, Sutton Coldfield  
West Midlands, B76 9EB  
United Kingdom  
Ph +44 01675 470440  
[sales@cembre.com](mailto:sales@cembre.com)

**CEMBRE S.a.r.l.**  
22 Avenue Ferdinand  
de Lesseps  
91420 Morangis Cedex  
France  
Ph +33 01 60 49 11 90  
[info@cembre.fr](mailto:info@cembre.fr)

**CEMBRE España S.L.U.**  
Calle Verano 6 y 8  
Pl Las Monjas  
28850 Torrejón de Ardoz  
Madrid - Spain  
Ph +34 91 4852580  
[comercial@cembre.com](mailto:comercial@cembre.com)

**CEMBRE GmbH**  
Geschäftsbereich  
Energie- und Bahntechnik  
Heidemannstr. 166  
80939 München  
Germany  
Ph +49 89-3580676  
[info@cembre.de](mailto:info@cembre.de)

**CEMBRE GmbH**  
Geschäftsbereich  
Industrie und Handel  
Boschstraße 7  
71384 Weinstadt  
Germany  
Ph +49 7151-20536-60  
[info-w@cembre.de](mailto:info-w@cembre.de)

**CEMBRE Inc.**  
Raritan Center Business Park  
300 Columbus Circle-S.F.,  
Edison, NJ 08837 USA  
Ph +1 (732) 225-7415  
[sales.us@cembre.com](mailto:sales.us@cembre.com)  
Midwest Office  
1051 Perimeter Dr. #470  
Schaumburg, IL 60173