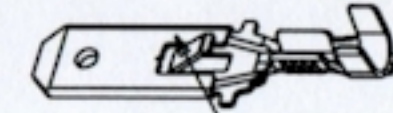
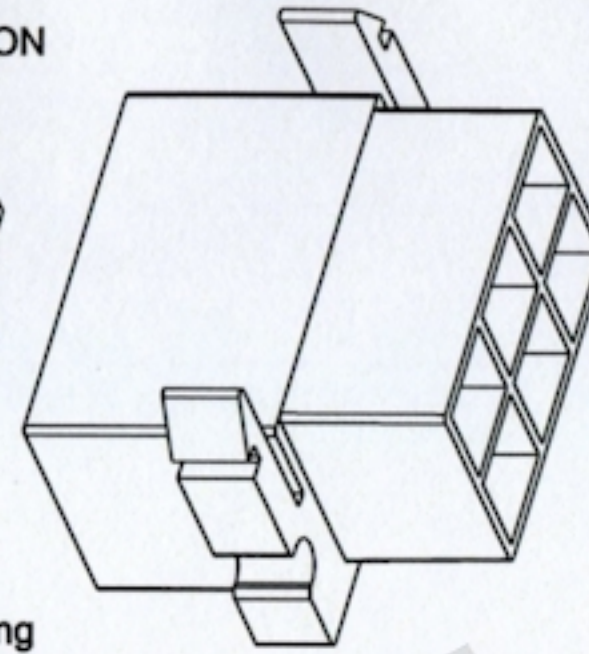
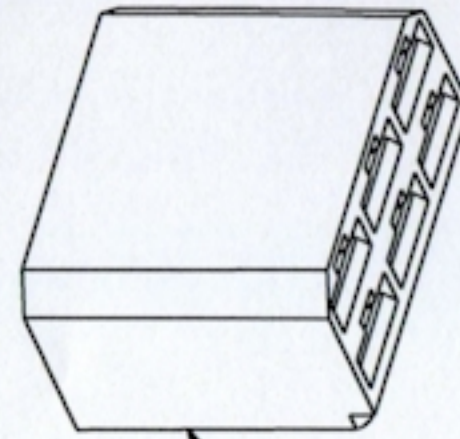
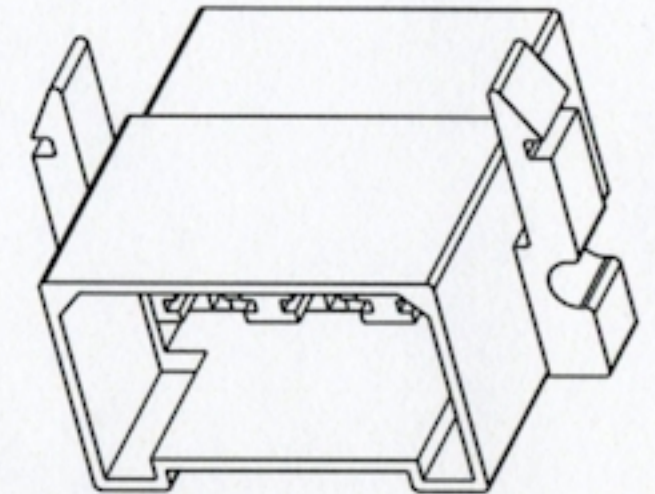
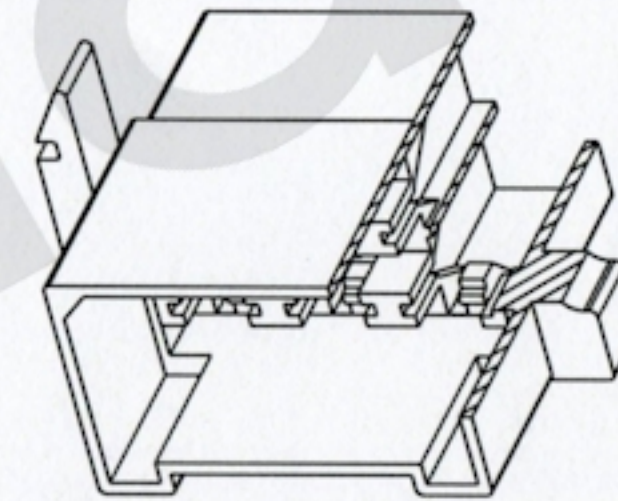
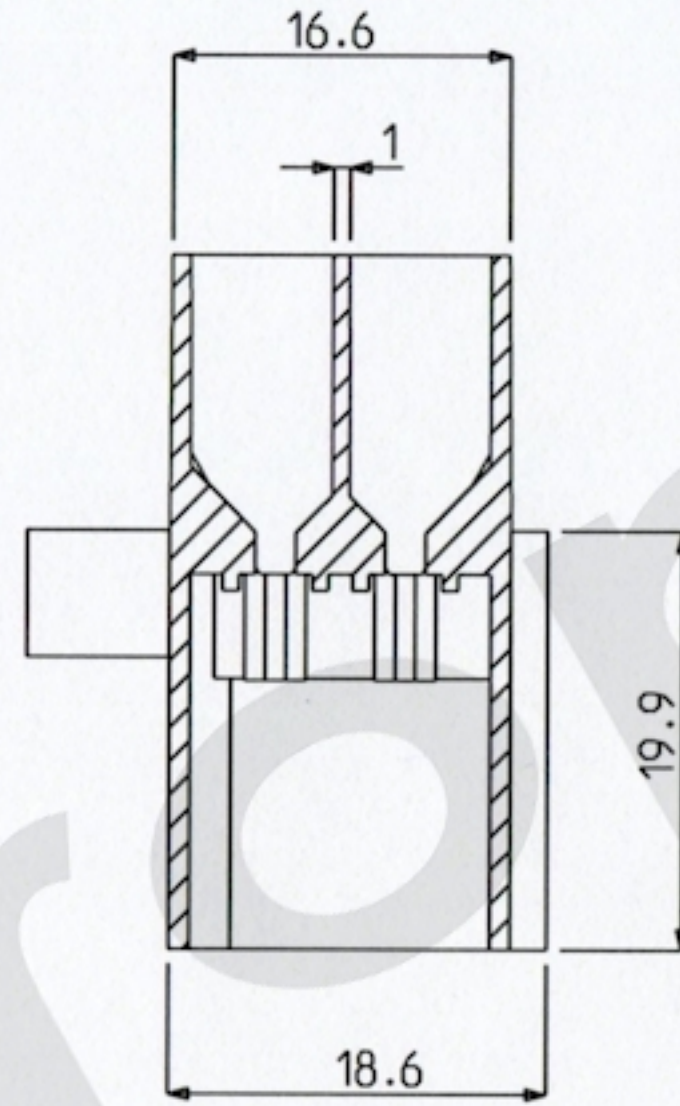
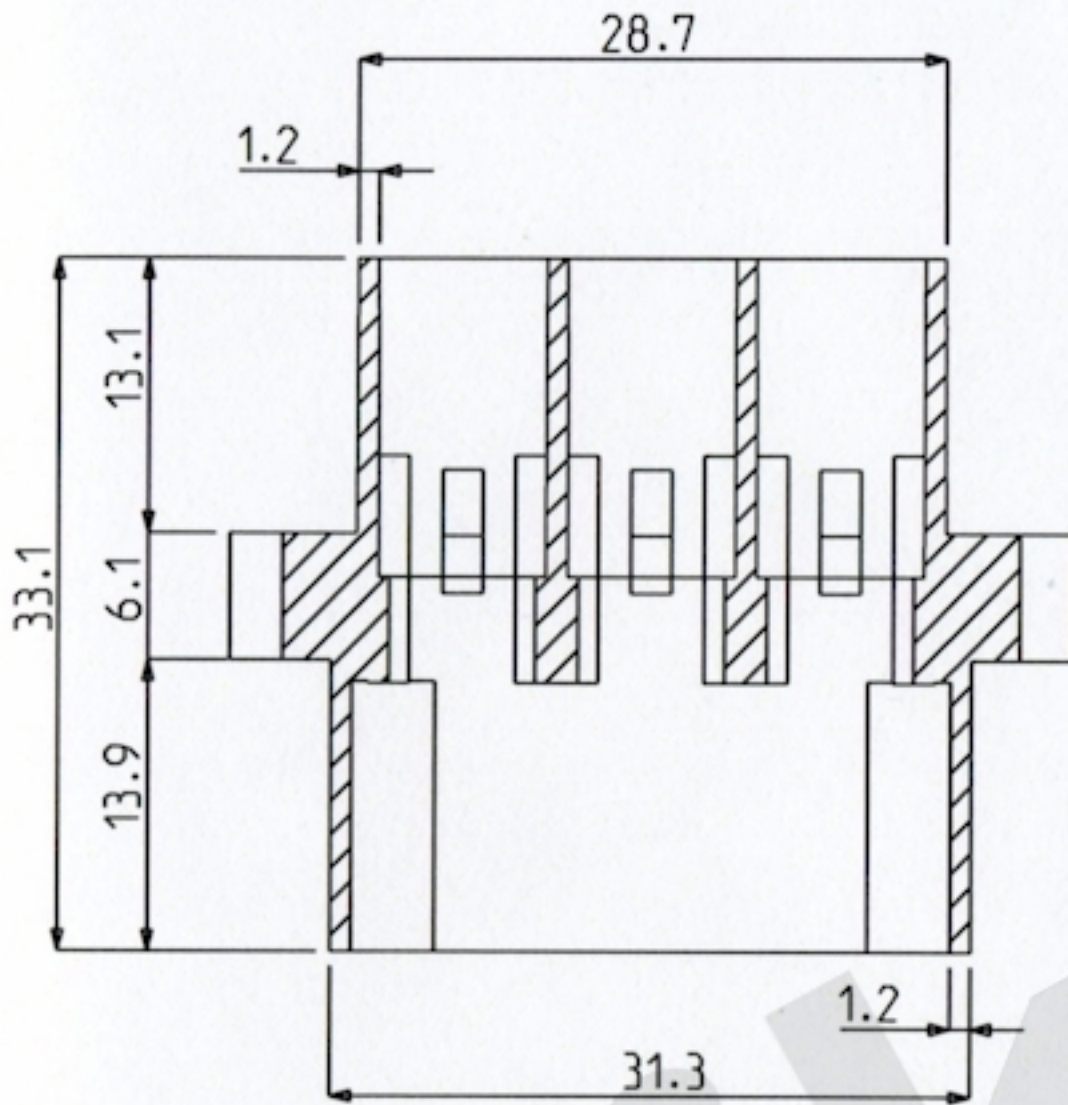


6-POSITIONS COMPLETE CONNECTION

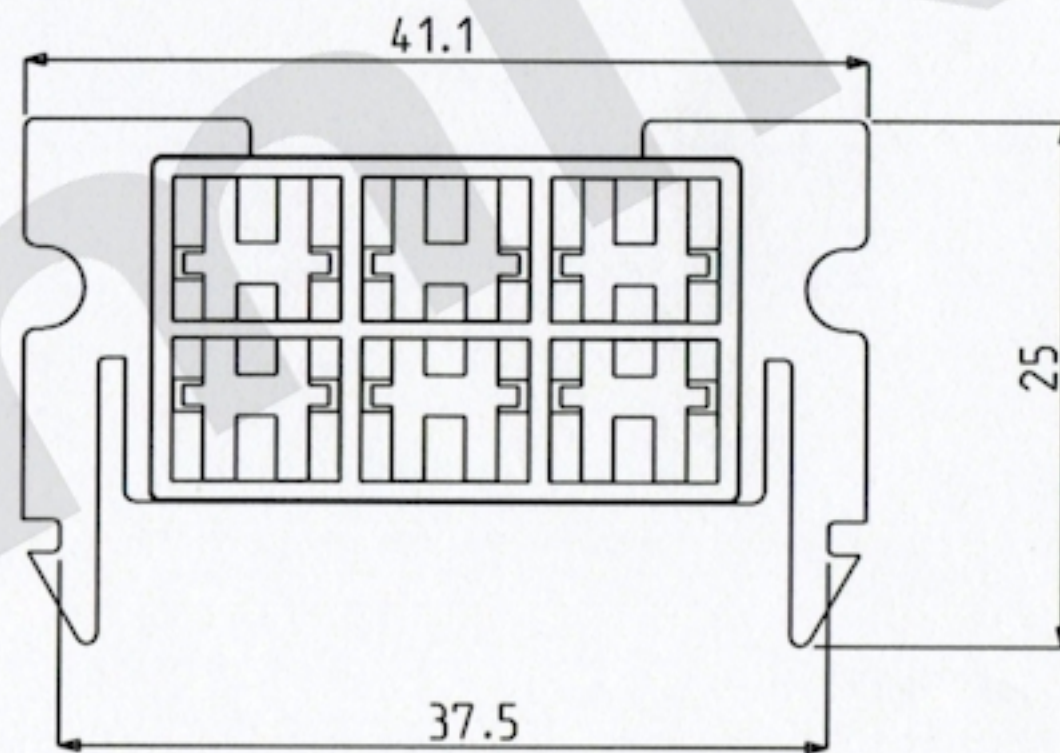


Mating terminals
FM638231
FM638531

Mating housing
CT1060



NOTE	CODE	MATERIAL	COLOUR
UL Approved	CT1061	Nylon 6.6 UL94-V2	Natural
UL Approved	CT1061-1		Black
UL Approved	CT1061-2		Red
UL Approved	CT1061H	Nylon 6.6 UL94-V2 + 750°C NoFlame	Natural
UL Approved	CT1061H1		Black
UL Approved	CT1061H2		Red
UL Approved	CT1061V	Nylon 6.6 UL94-V0	Natural
UL Approved	CT1061V1		Black
UL Approved	CT1061V2		Red
UL Approved	CT1061Z	Nylon 6.6 UL94-V0 + 750°C NoFlame	Natural
UL Approved	CT1061Z1		Black
UL Approved	CT1061Z2		Red



<p>NAME</p> <p>6 WAY FASTIN-FASTON TABS HOUSING 6,3mm SERIES</p>	<p>Questo disegno è un documento è distribuito in forma controllata, a termine di legge Mikropla si riserva la sua proprietà con divieto di uso e riproduzione. Esso è soggetto ad aggiornamenti, contattare l'ufficio tecnico per la versione più recente. This drawing is a controlled document. It is subject to change and the controlling engineering organization should be contacted for the latest revision.</p>		
	<p>TOLERANCES UNLESS OTHERWISE SPECIFIED :</p> <p>0 PLC ± 0.1 1 PLC ± 0.3 2 PLC ± 0.5 ANGLES ± 2°</p>	<p>MATERIAL : SEE TABLE WEIGHT : — FINISH : —</p>	
 <p>mikropla</p> <p>MIKROPLA s.r.l. Via Giovanni Pascoli, 36 - 60044 FABRIANO (AN) - IT</p>	<p>DWN : — DATE : 6 FEB 1986</p> <p>CHK : G. CESARI DATE : 20 MAG 2008</p> <p>REV. : 02</p>	<p>DIMENSIONS : mm SCALE : 2:1 SIZE : A4 SHEET 1 OF 1</p>	