

4.2mm(.165")Wire To Wire And Wire To Board Connector

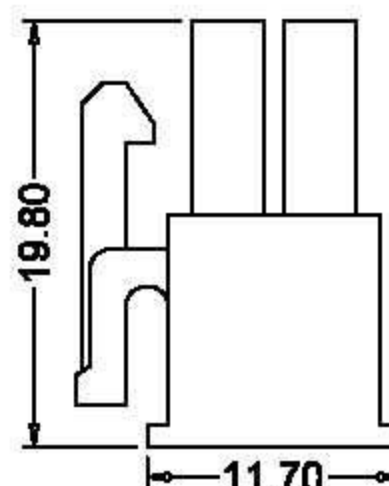
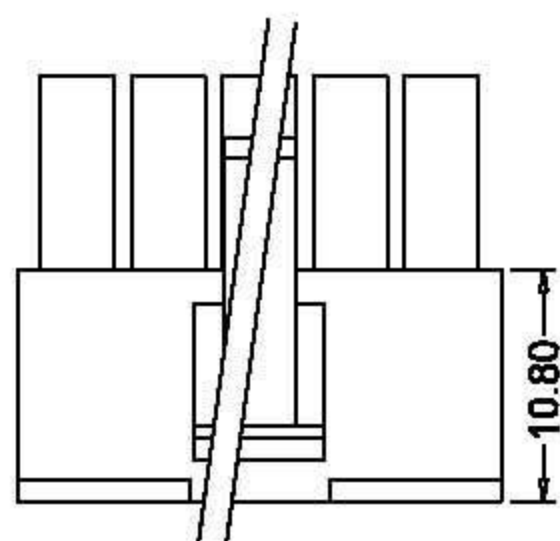
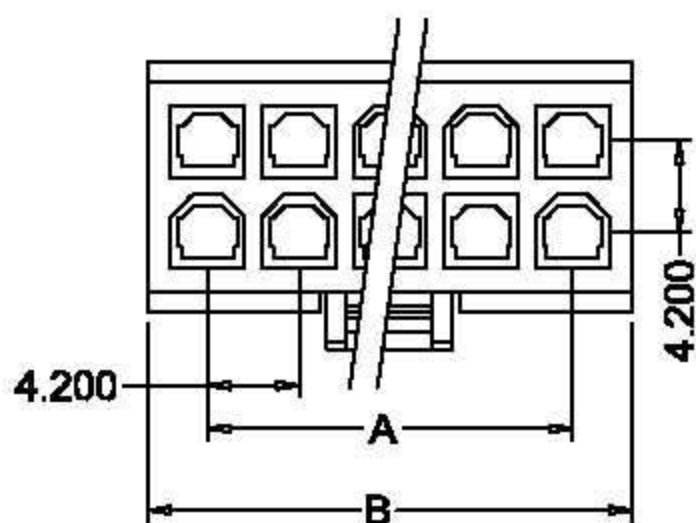
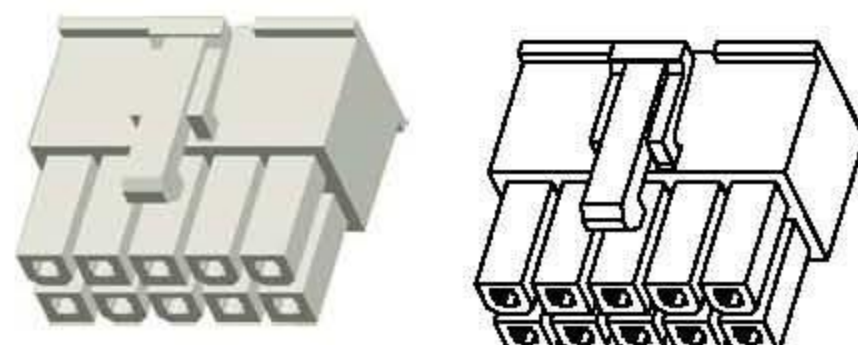


Shenzhen Hongru Connector Co., Ltd

SPECIFICATIONS:

- Current Rating:9AAC,DC
- Voltage Rating:600V AC,DC
- Operating temperature:V2:-25°C~+85°C
V0:-40°C~+105°C
- Contact Resistance:10mΩ max.
- Insulation Resistance:1000MΩ Min.
- Withstanding Voltage:1500V AC/minute
- Material:Nylon UL94V-2/UL94V-0
- Use With:T4200BS-2
- Terminal In Housing Retention Force Requirement:6.5kg (Min.)

Email:yukyli@hrb-connector.com
Tel: 86-0755 2709 6669
Fax: 86-0755 2709 2392
Skype: haiyuncheng-vivian
Mobile(whatsapp): 86-186 8112 3590
Website: http://www.hrb-connector.com



Ordering Information And Dimensions

Part NO.		Circuits	Dimensions		Part NO.		Circuits	Dimensions	
TYP UL94V-2	TYP UL94V-0		Dim:A	Dim:B	TYP UL94V-2	TYP UL94V-0		Dim:A	Dim:B
P4200-2x1-B	P4200-2x1-A	2	—	5.50	P4200-2x7-B	P4200-2x7-A	14	25.20	30.70
P4200-2x2-B	P4200-2x2-A	4	4.20	9.70	P4200-2x8-B	P4200-2x8-A	16	29.40	34.90
P4200-2x3-B	P4200-2x3-A	6	8.40	13.90	P4200-2x9-B	P4200-2x9-A	18	33.60	39.20
P4200-2x4-B	P4200-2x4-A	8	12.60	18.10	P4200-2x10-B	P4200-2x10-A	20	37.80	43.50
P4200-2x5-B	P4200-2x5-A	10	16.80	22.30	P4200-2x11-B	P4200-2x11-A	22	42.00	47.80
P4200-2x6-B	P4200-2x6-A	12	21.00	26.50	P4200-2x12-B	P4200-2x12-A	24	46.20	52.00